

cincinnati fan

OEM and Industrial Air Handling Specialist



RADIAL
BLADE
EXHAUSTER

Series 18, 25, 32 & 40

**INDUSTRIAL
EXHAUSTERS**

7697 Snider Road, Mason, OH 45040-9135

Telephone: 513-573-0600

Visit us at www.cincinnati-fan.com for more information.

Cat. No. RBE-307
Supersedes RBE-604



Cincinnati fan

A Company That Stands Behind Its Product

Since the founding of **Cincinnati Fan** in 1956, the company's mission has been to provide quality products at competitive prices, backed by dependable service.

This mission is carried out by specializing in the market for industrial air handling products up to 125 HP. But specialization does not mean the product line is small. **Cincinnati Fan** offers a wide variety of standard and customized products, production flexibility, and customer responsiveness.

Cincinnati Fan has over 170 experienced sales engineers across the U.S. and Canada ready to serve your air handling needs.

Cincinnati Fan can provide:

- Technical evaluation for correct performance conditions.
- Review of air stream and ambient conditions that require special attention.
- Selection of proper components to meet required design specifications.
- Selection of proper accessories.
- System analysis for proper fan design.

Cincinnati Fan operates in a modern facility specifically designed for world class manufacturing enabling us to build standard products to order, including accessories, and ship within 10 working days.

With support like this, you can be sure your **Cincinnati Fan** product will be well-built and will provide maximum dependability and longevity.

Visit us at www.cincinnati.com for more information.

SPECIFICATIONS FOR RBE SERIES

Radial bladed fans shall be Cincinnati model RBE, Size _____, Series _____, Arrangement _____. Capacity: _____ CFM, _____ Static Pressure at standard conditions. Operating conditions: _____ °F, _____ Ft. Altitude.

Wheels shall have welded blades and are designed to meet specified conditions for each series. Wheels shall be dynamically balanced to assure smooth operation. Shafts shall be turned, ground and polished steel (or stainless steel). All fans shall be test run at the factory before shipping.

Housings shall be continuously welded and supported to prevent housing pulsation at all conditions. All bearings shall be grease-lubricated, heavy-duty, self-aligning ball bearing. V-belt drive shall be selected for a minimum of 1.3 times nominal horsepower.

(All parts in contact with airstream shall be standard steel, aluminum or stainless steel as specified.)

Before painting, all steel parts shall be cleaned by detergent wash, phosphatized and painted with machine gray enamel.

The following accessories shall be included: (See page 6 for available accessories).

SEVEN STANDARD ARRANGEMENTS



ARRANGEMENT 1 (V-BELT DRIVE)

- Motor not mounted on bearing base.
- Wheel mounted on fan shaft with two pillow block bearings.
- Maximum temperature:
Standard design: 300°F;
High temperature design: 750°F.



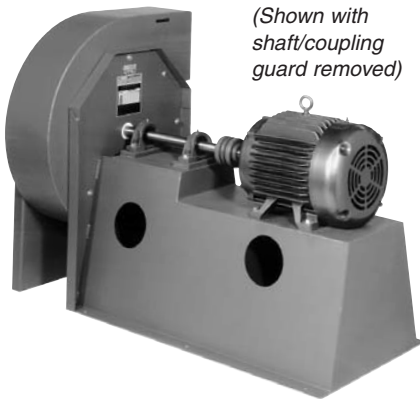
ARRANGEMENT 4HM (DIRECT DRIVE)

- C-Face motor mounted direct to housing. Foot mounted motor with angle bracket when C-Face motor is not available.
- Wheel mounted on motor shaft.
- Maximum temperature:
Standard design: 200°F.
High temperature design: 400°F.
- For performance data, see page 19



ARRANGEMENT 4 (DIRECT DRIVE)

- Motor mounted on motor base.
- Wheel mounted on motor shaft.
- Maximum temperature:
Standard design: 200°F.
High temperature design: 400°F.
- For performance data, see page 19



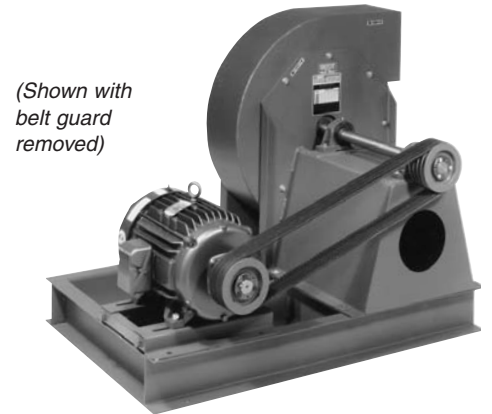
ARRANGEMENT 8 (DIRECT DRIVE)

- Motor mounted on motor base extending beyond the bearing base.
- Wheel mounted on fan shaft with two pillow block bearings.
- Maximum temperature:
Standard design: 300°F;
High temperature design: 750°F.
- Consult factory for dimensions.
- For performance data, see page 19.



ARRANGEMENT 9 (V-BELT DRIVE)

- Motor mounted on an adjustable slide base on the side of the bearing base.
- Wheel mounted on fan shaft with two pillow block bearings.
- Maximum temperature:
Standard design: 300°F.
High temperature design: 750°F.



ARRANGEMENT 9CB (V-BELT DRIVE)

- Same as Arrangement 9 except motor and fan are mounted on a common channel base.
- Maximum temperature:
Standard design: 300°F;
High temperature design: 750°F.

ARRANGEMENT 10 (V-BELT DRIVE)

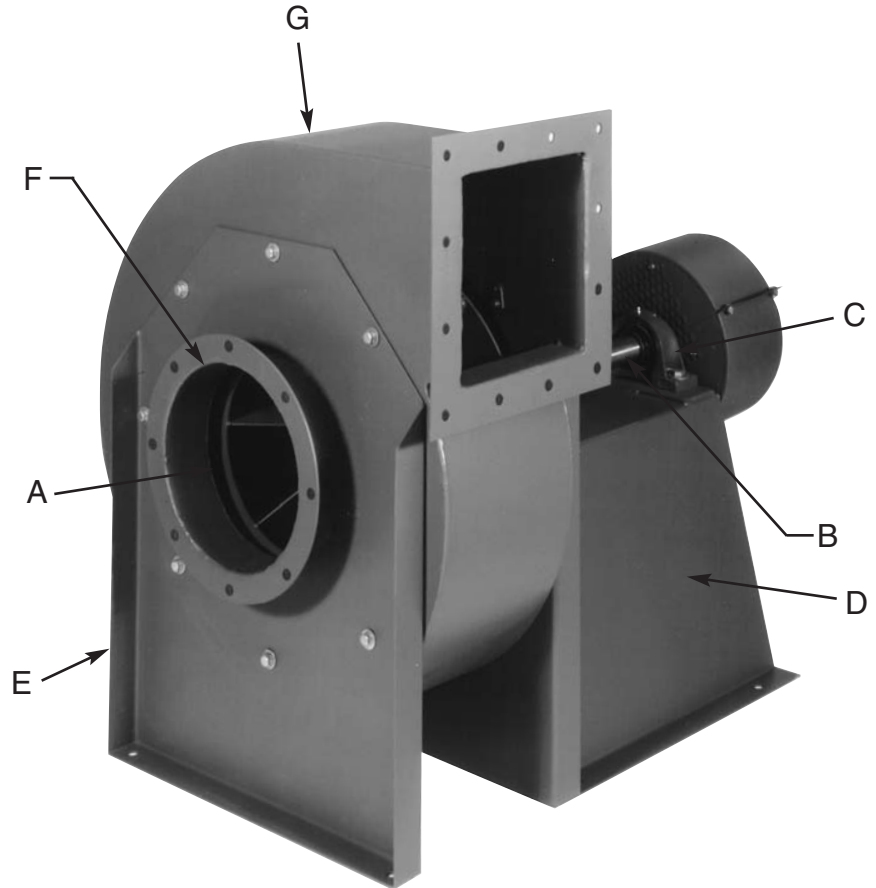
- Motor mounted on adjustable base under the fan shaft.
- Wheel mounted on fan shaft with two pillow block bearings.
- Maximum temperature:
Standard design: 300°F;
High temperature design not available.
- Consult factory on RBE-21.



(Shown with weather cover removed)

RBE FEATURES

- A) Wheels are fabricated of heavy-gauge, high-strength steel to assure long lasting, efficient operation for each series.
- B) Turned, ground and polished shafting assures smooth operation. A rust preventative coating is applied prior to shipment.
- C) Heavy-duty, self-aligning ball bearings in relubricatable cast-iron pillow blocks. Bearings are selected for optimal performance based on maximum fan speed for each fan size and series. (See page 22.)
- D) Bearing base is heavy steel construction with internal supports to maximize rigidity and assure long equipment life. Arrangement #1 fans can be converted to arrangement #9 with the addition of the motor slide base.
- E) Inlet side support is used to assure a vibration free, stable housing.
- F) Slip collar inlet (not shown) is used for duct work connection. Flanged inlet is optional.
- G) Reversible housing provides increased configuration flexibility. Removable side plates allow the wheel to be removed from the motor or inlet side of the housing. Housings are rotatable in 45 degree increments. (Only shrouded wheels are reversible.) Housing gauges are determined by the fan size and series.



TWO WHEEL TYPES



Shrouded Wheel

Standard fabricated steel wheel used on all sizes and series. Taper lock bushings are standard on sizes 7-13. Sizes 15-21 have cast iron hubs. This type wheel is not recommended for conveying long stringy material, consult factory. All wheels are available in aluminum and stainless steel with straight bore hubs.



Open Wheel

Optional fabricated wheel available on Series 18 and 25 only. Taper lock bushings are standard on all mild steel wheels. Nonreversible. Also available in aluminum and stainless steel with straight bore hubs on most sizes or series. (Consult factory.)

SPARK-RESISTANT CONSTRUCTION

Type A: All parts in contact with airstream are of nonferrous material.
(Consult Factory.)

Type B: Aluminum wheel and aluminum rubbing ring on motor shaft or fan shaft. Maximum Temperature 200°F.

Type C: Consists of an aluminum plate on the inlet and drive side of the fan.

MAX. RPM for Aluminum Wheels ①②③	
FAN SIZE	MAX. SPEED
7	4994
9	4383
11	4000
13	3800
15	3500
17	3090
19	2610
21	2080

⚠ WARNING

The use of aluminum or aluminum alloys in the presence of steel which has been allowed to rust requires special consideration. Research by the U.S. Bureau of Mines and others has shown that aluminum impellers rubbing on rusty steel may cause high intensity sparking.

The use of the above Standard in no way implies a guarantee of safety for any level of spark resistance. Spark-resistant construction also does not protect against ignition of explosive gases caused by catastrophic failure or from any airstream material that may be present in a system.

- ① Up to 200°F. Consult factory for higher temperatures.
- ② All wheels are shrouded type, fabricated aluminum.
- ③ See page 22 for WR² and bearing & shaft limitations.

HIGH TEMPERATURE CONSTRUCTION

Arrangements 4 and 4 HM

- Up to 200°F. Standard fan construction.
- 201°- 400°F. Standard fan with shaft seal, heat slinger and slinger guard.

Arrangement 10

- Up to 300°F. Standard fan construction.

Arrangements 1, 8, 9 and 9CB

- Up to 300°F. Standard fan construction.
- 301°- 400°F. Standard fan with heat slinger and shaft/slinger guard.
- 401°- 600°F. Standard fan with heat slinger, shaft/slinger guard and high temperature shaft seal, gasketing and paint.
- 601°- 750°F. Standard fan with heat slinger, shaft/slinger guard, 316SS fan shaft and high temperature shaft seal, gasketing and paint.

TEMPERATURE RANGE	MAXIMUM RPM REDUCTION FACTOR†
Up to 175°F.	0%
175°-200°	2%
201°-300°	4%
301°-400°	7%
401°-500°	11%
501°-600°	15%
601°-700°	20%
701°-750°	30%

† Steel wheels only.

TEMPERATURE - ALTITUDE CONVERSIONS

AIR TEMP. °F.	ALTITUDE IN FEET ABOVE SEA LEVEL										
	0	1000	2000	3000	4000	5000	6000	7000	8000	9000	10000
0°	.87	.91	.94	.98	1.01	1.05	1.09	1.13	1.17	1.22	1.26
40°	.94	.98	1.02	1.06	1.10	1.14	1.19	1.23	1.28	1.32	1.36
70°	1.00	1.04	1.08	1.12	1.16	1.20	1.25	1.30	1.35	1.40	1.45
80°	1.02	1.06	1.10	1.14	1.19	1.23	1.28	1.33	1.38	1.43	1.48
100°	1.06	1.10	1.14	1.19	1.23	1.28	1.33	1.38	1.43	1.48	1.54
120°	1.09	1.14	1.18	1.23	1.28	1.32	1.38	1.43	1.48	1.53	1.58
140°	1.13	1.18	1.22	1.27	1.32	1.37	1.42	1.48	1.54	1.58	1.65
160°	1.17	1.22	1.26	1.31	1.36	1.42	1.47	1.53	1.59	1.64	1.70
180°	1.21	1.26	1.30	1.36	1.41	1.46	1.52	1.58	1.64	1.70	1.75
200°	1.25	1.29	1.34	1.40	1.45	1.51	1.57	1.63	1.69	1.75	1.81
250°	1.34	1.39	1.45	1.50	1.56	1.62	1.68	1.74	1.82	1.88	1.94
300°	1.43	1.49	1.55	1.61	1.67	1.74	1.80	1.87	1.94	2.00	2.08
350°	1.53	1.59	1.65	1.72	1.78	1.85	1.92	2.00	2.07	2.14	2.22
400°	1.62	1.69	1.75	1.82	1.89	1.96	2.04	2.12	2.20	2.27	2.35
450°	1.72	1.79	1.86	1.93	2.00	2.08	2.16	2.24	2.33	2.41	2.50
500°	1.81	1.88	1.96	2.03	2.11	2.19	2.28	2.36	2.46	2.54	2.62
550°	1.91	1.98	2.06	2.14	2.22	2.30	2.40	2.49	2.58	2.68	2.77
600°	2.00	2.08	2.16	2.24	2.33	2.42	2.50	2.61	2.71	2.80	2.90
650°	2.10	2.18	2.26	2.35	2.44	2.54	2.63	2.74	2.84	2.94	3.04
700°	2.19	2.27	2.36	2.46	2.55	2.65	2.75	2.86	2.97	3.06	3.18
750°	2.28	2.37	2.47	2.56	2.66	2.76	2.87	2.98	3.10	3.19	3.31

Fan performance tables are developed using standard air which is 70°F., 29.92" barometric pressure and .075 lbs. per cubic foot. Density changes resulting from temperature or barometric pressure variations (such as high altitudes) must be corrected to standard conditions before selecting a fan based on standard performance data.

Temperature and/or altitude conversion factors are used in making corrections to standard conditions.

EXAMPLE:

Select a belt driven RBE to deliver 2661 CFM at 10" SP at 200°F., and 7000' altitude.

STEP 1. From the table, conversion factor is 1.63.

STEP 2. Correct static pressure is: 1.63 x 10" SP = 16.3" SP at standard conditions.

STEP 3. Check RBE catalog for 2661 CFM at 16.3" SP. We select a belt driven RBE-11, Series 18 (on page 9) and interpolation gives 2912 RPM and 11.15 BHP.

STEP 4. Correct the BHP for the lighter air: 11.15 ÷ 1.63 = 6.84 BHP. A 7.5 HP motor will suffice at 200° F., and 7000' but not at standard conditions. Special motor insulation may be required at altitudes above 3500'.

OPTIONAL ACCESSORIES



Shaft Seal

Teflon shaft seal good to 400°F. Ceramic fiber gasket material with steel cover plate above 400°F.



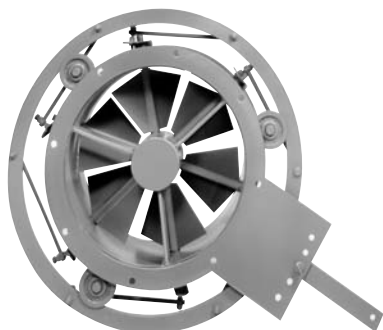
Outlet Damper

All dampers 1 or 2 blade. Opposed blade construction is standard.



Belt Guard

Belt guard standard on arrangements 9 and 9CB only. **Painted safety yellow.**



Inlet Vane Control

Linkage assembly is external on smaller sizes, internal on larger sizes. Inlet vane depth varies with inlet diameter. Consult factory for dimensions.



Inspection Door

Bolted scroll inspection door position as specified. Rubber gasket standard to 250°F. Ceramic fiber gasket standard at temperatures above 250°F. Quick-release inspection door also available.



Drain Connection

3/4" pipe coupling welded to lowest point of housing. Not required on BH discharge position.



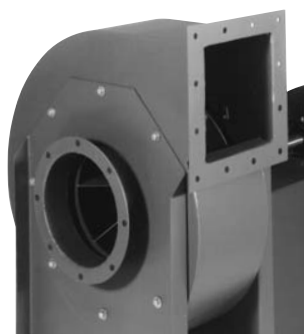
Shaft and/or Heat Slinger Guard

Guard available on arrangement 1, 9, 9CB and 10. Covers bearings and shaft between fan housing and belt guard. Bearings relubricatable through guard. **Painted safety yellow.**

DANGER

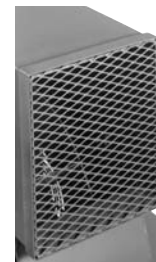
All fans & blowers shown have rotating parts and pinch points. Severe personal injury can result if operated without guards. Stay away from rotating equipment unless it is disconnected from its power source.

Read operating instructions.



Inlet & Outlet Flanges

Flanges on inlet and outlet available where installation requires tight duct connections. Standard hole pattern furnished. Outlet flange not available on some discharge positions. See page 27 for dimensions and limitations.



Inlet & Outlet Guards

OSHA type.



RBE - 7

BELT DRIVE RATING TABLES

Ratings at 70°F., .075 Density, Sea Level

WHEEL

Dia. - 12 1/4"

OUTLET O.D.

Size - 6 3/4" X 6 1/8"
Area - .265 Sq. Ft.

INLET O.D.

Size - 7"
Area - .26 Sq. Ft.

Series 18 = light face above Series 25
Series 25 = bold face below Series 18

NOTE: See pages 23, 25 or 26 for minimum motor frame sizes regardless of BHP.

SEE PAGE 22 FOR MAX. WHEEL RPM AND WR².

VOL. CFM	O.V. FPM	1" SP		2" SP		3" SP		4" SP		5" SP		6" SP		7" SP		8" SP		9" SP		10" SP	
		RPM	BHP	RPM	BHP	RPM	BHP	RPM	BHP	RPM	BHP	RPM	BHP	RPM	BHP	RPM	BHP	RPM	BHP	RPM	BHP
450	1698	1292	.15	1660	.25	1970	.38	2233	.51	2471	.65	2700	.80	2910	.96	3106	1.12	3290	1.29	3465	1.46
500	1886	1344	.17	1698	.29	2001	.42	2263	.56	2495	.71	2707	.86	2918	1.03	3114	1.20	3298	1.38	3472	1.56
550	2075	1399	.20	1745	.33	2032	.47	2294	.62	2525	.77	2734	.93	2927	1.10	3122	1.28	3306	1.47	3480	1.66
600	2264	1455	.24	1792	.38	2069	.52	2325	.68	2555	.84	2764	1.01	2957	1.19	3136	1.36	3314	1.56	3488	1.76
650	2452	1514	.27	1840	.43	2115	.58	2356	.74	2586	.91	2795	1.09	2987	1.28	3166	1.47	3335	1.66	3496	1.86
700	2641	1576	.32	1893	.48	2162	.64	2395	.81	2617	.99	2825	1.18	3018	1.37	3196	1.57	3365	1.78	3524	1.98
750	2830	1642	.37	1947	.54	2209	.71	2442	.89	2649	1.07	2856	1.27	3048	1.47	3227	1.68	3395	1.90	3554	2.11
800	3018	1709	.43	2003	.60	2258	.79	2488	.98	2694	1.16	2888	1.36	3079	1.58	3257	1.80	3425	2.02	3584	2.25
850	3207	1777	.49	2059	.67	2310	.87	2536	1.07	2740	1.27	2927	1.47	3110	1.68	3288	1.91	3456	2.15	3615	2.38
900	3396	1846	.56	2118	.74	2365	.95	2584	1.16	2787	1.38	2973	1.59	3145	1.80	3320	2.03	3487	2.28	3645	2.53
950	3584	1915	.63	2178	.82	2420	1.05	2634	1.27	2835	1.49	3020	1.71	3191	1.94	3351	2.18	3518	2.42	3676	2.67
1000	3773	1986	.71	2242	.92	2475	1.15	2688	1.38	2883	1.61	3067	1.85	3237	2.08	3397	2.32	3549	2.56	3707	2.82
1050	3962	2057	.80	2308	1.02	2532	1.25	2742	1.50	2932	1.74	3114	1.99	3284	2.23	3443	2.48	3593	2.73	3739	2.98
1100	4150	2130	.90	2374	1.13	2591	1.36	2797	1.62	2986	1.88	3162	2.13	3331	2.39	3490	2.65	3639	2.91	3781	3.17
1150	4339	2204	1.00	2442	1.25	2650	1.48	2853	1.75	3040	2.02	3212	2.29	3379	2.56	3537	2.83	3686	3.10	3827	3.37
1200	4528	2278	1.12	2510	1.38	2714	1.62	2909	1.89	3094	2.17	3265	2.45	3427	2.73	3584	3.01	3733	3.29	3874	3.57
1250	4716	2353	1.24	2579	1.51	2779	1.77	2968	2.04	3150	2.33	3319	2.62	3477	2.91	3632	3.20	3780	3.50	3920	3.79
1300	4905	2429	1.38	2648	1.65	2845	1.92	3027	2.19	3206	2.49	3374	2.80	3531	3.10	3681	3.40	3828	3.71	3968	4.01
1350	5094	2505	1.52	2718	1.80	2912	2.09	3088	2.36	3262	2.67	3429	2.99	3585	3.30	3732	3.61	3876	3.93	4015	4.25
1400	5283	2581	1.67	2788	1.97	2979	2.27	3153	2.55	3321	2.85	3485	3.18	3640	3.51	3786	3.83	3924	4.16	4063	4.49
1450	5471	2658	1.84	2859	2.14	3047	2.45	3218	2.75	3380	3.05	3541	3.39	3695	3.73	3840	4.06	3978	4.40	4112	4.74
1500	5660	2735	2.01	2931	2.32	3115	2.65	3284	2.96	3440	3.25	3598	3.60	3750	3.95	3895	4.30	4032	4.65	4163	5.00
1550	5849	2812	2.20	3004	2.52	3184	2.85	3350	3.18	3505	3.49	3657	3.83	3806	4.19	3950	4.55	4086	4.91	4216	5.27
1600	6037	2890	2.39	3078	2.73	3254	3.07	3418	3.41	3570	3.73	3717	4.06	3863	4.44	4005	4.81	4141	5.18	4270	5.56
1650	6226	2968	2.60	3152	2.95	3324	3.30	3485	3.65	3636	3.99	3778	4.31	3922	4.69	4061	5.08	4196	5.47	4325	5.85
1700	6415	3047	2.82	3227	3.18	3394	3.54	3553	3.91	3702	4.26	3842	4.59	3981	4.96	4117	5.36	4251	5.76	4379	6.15
1750	6603	3125	3.05	3302	3.43	3465	3.79	3622	4.17	3769	4.54	3907	4.89	4041	5.24	4176	5.65	4307	6.06	4435	6.47
1800	6792	3204	3.30	3377	3.69	3536	4.06	3691	4.45	3836	4.83	3973	5.20	4103	5.55	4235	5.95	4364	6.38	4490	6.80
1850	6981	3283	3.55	3453	3.96	3608	4.34	3761	4.74	3904	5.14	4039	5.52	4168	5.88	4295	6.27	4422	6.70	4546	7.14

VOL. CFM	O.V. FPM	11" SP		12" SP		13" SP		14" SP		15" SP		16" SP		17" SP		18" SP		19" SP		20" SP	
		RPM	BHP	RPM	BHP	RPM	BHP	RPM	BHP	RPM	BHP	RPM	BHP	RPM	BHP	RPM	BHP	RPM	BHP	RPM	BHP
450	1698	3630	1.64	3789	1.82	3941	2.01	4086	2.20	4227	2.40	4364	2.60	4496	2.80	4624	3.01	4749	3.22	4871	3.43
500	1886	3638	1.75	3796	1.94	3948	2.14	4094	2.34	4235	2.54	4372	2.75	4504	2.96	4632	3.18	4757	3.40	4878	3.62
550	2075	3646	1.86	3804	2.06	3956	2.26	4102	2.47	4243	2.69	4379	2.90	4512	3.12	4640	3.35	4765	3.58	4886	3.81
600	2264	3654	1.96	3812	2.17	3964	2.39	4110	2.61	4251	2.83	4387	3.06	4519	3.29	4648	3.52	4772	3.76	4894	4.00
650	2452	3662	2.07	3820	2.29	3972	2.52	4118	2.74	4259	2.98	4395	3.21	4527	3.45	4655	3.70	4780	3.94	4902	4.19
700	2641	3676	2.19	3828	2.41	3980	2.65	4125	2.88	4267	3.12	4403	3.37	4535	3.62	4663	3.87	4788	4.13	4910	4.39
750	2830	3705	2.33	3850	2.55	3989	2.78	4133	3.02	4274	3.27	4411	3.53	4543	3.79	4671	4.05	4796	4.31	4917	4.58
800	3018	3736	2.48	3880	2.71	4019	2.94	4153	3.18	4282	3.42	4419	3.69	4551	3.95	4679	4.23	4804	4.50	4925	4.78
850	3207	3766	2.62	3910	2.87	4049	3.11	4183	3.36	4312	3.61	4436	3.86	4559	4.12	4687	4.40	4812	4.69	4933	4.98
900	3396	3796	2.78	3941	3.03	4079	3.29	4213	3.54	4342	3.81	4466	4.07	4587	4.34	4704	4.60	4819	4.88	4941	5.17
950	3584	3827	2.93	3971	3.20	4110	3.46	4243	3.73	4372	4.01	4496	4.28	4617	4.56	4734	4.83	4849	5.12	4960	5.40
1000	3773	3858	3.10	4002	3.37	4140	3.65	4273	3.93	4402	4.21	4527	4.49	4647	4.78	4765	5.07	4878	5.36	4990	5.66
1050	3962	3889	3.26	4033	3.55	4171	3.84	4304	4.13	4433	4.42	4557	4.71	4678	5.01	4795	5.31	4909	5.61		
1100	4150	3920	3.43	4064	3.73	4202	4.03	4335	4.33	4463	4.63	4588	4.94	4708	5.25	4825	5.56	4939	5.87		
1150	4339	3962	3.64	4096	3.92	4233	4.23	4366	4.54	4494	4.85	4618	5.17	4739	5.49	4856	5.81	4969	6.13		
1200	4528	4008	3.86	4138	4.14	4265	4.43	4397	4.75	4525	5.08	4649	5.40	4769	5.73	4886	6.06				
1250	4716	4055	4.08	4184	4.38	4307	4.67	4429	4.97	4556	5.31	4680	5.64	4800	5.98	4917	6.33				
1300	4905	4101	4.32	4230	4.62	4353	4.93	4473	5.24	4588	5.54	4712	5.89	4832	6.24	4948	6.59				
1350	5094	4149	4.56	4277	4.88	4400	5.20	4519	5.51	4634	5.83	4745	6.15	4863	6.50	4979	6.87				
1400	5283	4196	4.82	4324	5.15	4446	5.48	4565	5.80	4680	6.13	4791	6.46	4899	6.79						
1450	5471	4244	5.08	4371	5.42	4493	5.76	4611	6.10	4726	6.44	4837	6.78	4945	7.12						
1500	5660	4292	5.35	4419	5.70	4541	6.06	4659	6.41	4773	6.76	4883	7.11	4991	7.47						
1550	5849	4341	5.63	4467	6.00	4588	6.36	4706	6.73	4820	7.09	4930	7.45								
1600	6037	4394	5.93	4515	6.30	4636	6.68	4753	7.05	4867	7.43	4977	7.80								
1650	6226	4448	6.23	4567	6.62	4685	7.00	4801	7.39	4914	7.78										
1700	6415	4502	6.55	4621	6.95	47															

RBE - 9 BELT DRIVE RATING TABLES Ratings at 70°F., .075 Density, Sea Level

WHEEL
Dia. - 15 3/4"

OUTLET O.D.
Size - 8 3/4" X 7 5/8"
Area - .435 Sq. Ft.

INLET O.D.
Size - 9"
Area - .44 Sq. Ft.

Series 18 = light face above Series 25
Series 25 = bold face below Series 18

NOTE: See pages 23, 25 or 26 for minimum motor frame sizes regardless of BHP.

SEE PAGE 22 FOR MAX. WHEEL RPM AND WR².

VOL. CFM	O.V. FPM	2" SP		4" SP		6" SP		8" SP		10" SP		12" SP		13" SP		14" SP		15" SP		16" SP	
		RPM	BHP	RPM	BHP	RPM	BHP	RPM	BHP	RPM	BHP	RPM	BHP	RPM	BHP	RPM	BHP	RPM	BHP	RPM	BHP
400	919	1210	.24	1699	.56	2074	.92														
500	1149	1221	.28	1707	.63	2082	1.04	2398	1.48	2677	1.95										
600	1379	1249	.34	1714	.71	2089	1.15	2405	1.63	2684	2.14	2936	2.69	3054	2.97	3168	3.26	3277	3.55		
700	1609	1278	.39	1725	.80	2097	1.27	2413	1.78	2691	2.33	2944	2.92	3062	3.22	3175	3.52	3285	3.84	3391	4.16
800	1839	1310	.46	1753	.90	2104	1.39	2420	1.94	2699	2.53	2951	3.15	3069	3.47	3183	3.79	3292	4.12	3398	4.46
900	2068	1353	.54	1782	1.01	2124	1.53	2428	2.10	2706	2.72	2958	3.38	3076	3.72	3190	4.06	3300	4.41	3406	4.77
1000	2298	1397	.63	1811	1.13	2153	1.69	2442	2.27	2714	2.92	2966	3.61	3084	3.97	3197	4.33	3307	4.70	3413	5.08
1100	2528	1443	.73	1840	1.25	2181	1.85	2470	2.48	2725	3.13	2973	3.85	3091	4.23	3205	4.61	3314	5.00	3421	5.39
1200	2758	1494	.84	1882	1.40	2210	2.02	2499	2.69	2753	3.39	2984	4.10	3099	4.48	3212	4.89	3322	5.29	3428	5.71
1300	2988	1546	.96	1925	1.57	2239	2.21	2527	2.92	2782	3.65	3012	4.41	3120	4.79	3224	5.18	3329	5.59	3435	6.02
1400	3218	1599	1.10	1970	1.75	2274	2.41	2556	3.15	2810	3.93	3040	4.72	3148	5.13	3252	5.54	3352	5.95	3449	6.37
1500	3448	1654	1.25	2015	1.95	2318	2.65	2586	3.39	2839	4.21	3069	5.05	3177	5.48	3280	5.91	3381	6.34	3477	6.78
1600	3678	1712	1.42	2063	2.16	2362	2.91	2619	3.66	2868	4.51	3098	5.39	3205	5.83	3309	6.29	3409	6.74	3506	7.20
1700	3908	1773	1.62	2114	2.39	2406	3.18	2662	3.98	2898	4.81	3127	5.74	3234	6.21	3338	6.68	3438	7.15	3534	7.63
1800	4137	1835	1.83	2166	2.63	2451	3.47	2706	4.31	2933	5.16	3156	6.10	3263	6.59	3367	7.08	3466	7.58	3563	8.08
1900	4367	1899	2.07	2218	2.89	2497	3.77	2750	4.67	2976	5.56	3185	6.47	3292	6.98	3396	7.50	3495	8.01	3592	8.54
2000	4597	1963	2.32	2272	3.17	2548	4.10	2795	5.04	3020	5.98	3225	6.91	3322	7.39	3425	7.92	3525	8.46	3621	9.01
2100	4827	2028	2.59	2327	3.47	2599	4.45	2840	5.42	3064	6.41	3268	7.40	3365	7.89	3458	8.38	3554	8.93	3650	9.49
2200	5057	2093	2.89	2383	3.79	2650	4.81	2886	5.83	3109	6.87	3312	7.90	3408	8.42	3501	8.93	3590	9.45	3680	9.99
2300	5287	2159	3.20	2443	4.16	2703	5.20	2937	6.27	3154	7.35	3356	8.43	3452	8.97	3544	9.51	3633	10.05	3720	10.59
2400	5517	2226	3.55	2505	4.56	2756	5.61	2988	6.73	3199	7.84	3401	8.97	3496	9.54	3588	10.10	3677	10.66	3763	11.23
2500	5747	2294	3.92	2567	4.98	2810	6.05	3039	7.21	3247	8.37	3446	9.54	3541	10.13	3632	10.72	3721	11.30	3807	11.89
2600	5977	2363	4.32	2630	5.43	2866	6.50	3092	7.72	3298	8.92	3491	10.13	3586	10.75	3677	11.36	3765	11.97	3851	12.58
2700	6206	2433	4.75	2694	5.91	2922	6.98	3144	8.25	3349	9.50	3538	10.75	3631	11.39	3722	12.02	3810	12.66	3895	13.29
2800	6436	2503	5.21	2758	6.41	2982	7.54	3197	8.80	3401	10.11	3588	11.41	3677	12.05	3767	12.71	3855	13.37	3940	14.03
2900	6666	2573	5.70	2822	6.94	3044	8.13	3252	9.39	3453	10.74	3639	12.09	3728	12.76	3813	13.43	3900	14.11	3985	14.79
3000	6896	2644	6.22	2887	7.50	3106	8.75	3308	10.00	3505	11.40	3691	12.80	3779	13.49	3864	14.19	3946	14.88	4030	15.58

VOL. CFM	O.V. FPM	17" SP		18" SP		19" SP		20" SP		21" SP		22" SP		23" SP		24" SP		25" SP		26" SP	
		RPM	BHP	RPM	BHP	RPM	BHP	RPM	BHP	RPM	BHP	RPM	BHP	RPM	BHP	RPM	BHP	RPM	BHP	RPM	BHP
700	1609	3493	4.48	3594	4.82	3690	5.16	3785	5.50												
800	1839	3501	4.81	3601	5.16	3698	5.52	3792	5.88	3885	6.25	3975	6.62	4063	7.00	4149	7.38	4233	7.77	4316	8.16
900	2068	3508	5.13	3608	5.50	3705	5.88	3800	6.26	3892	6.64	3982	7.04	4070	7.43	4156	7.83	4241	8.24	4323	8.65
1000	2298	3516	5.46	3616	5.85	3713	6.24	3807	6.64	3899	7.05	3989	7.46	4077	7.87	4164	8.29	4248	8.72	4331	9.15
1100	2528	3523	5.79	3623	6.20	3720	6.61	3815	7.03	3907	7.45	3997	7.88	4085	8.31	4171	8.75	4255	9.20	4338	9.64
1200	2758	3531	6.13	3630	6.55	3728	6.98	3822	7.42	3914	7.86	4004	8.31	4092	8.76	4178	9.22	4263	9.68	4345	10.14
1300	2988	3538	6.46	3638	6.91	3735	7.35	3829	7.81	3922	8.27	4012	8.74	4099	9.21	4186	9.68	4270	10.16	4353	10.65
1400	3218	3546	6.80	3645	7.26	3742	7.73	3837	8.21	3929	8.68	4019	9.17	4107	9.66	4193	10.15	4277	10.65	4360	11.16
1500	3448	3572	7.22	3663	7.67	3752	8.12	3844	8.60	3937	9.10	4026	9.60	4114	10.11	4200	10.63	4285	11.14	4367	11.67
1600	3678	3600	7.66	3691	8.13	3780	8.60	3866	9.08	3951	9.56	4034	10.04	4122	10.57	4208	11.10	4292	11.64	4375	12.18
1700	3908	3628	8.12	3719	8.61	3808	9.10	3894	9.59	3979	10.09	4061	10.60	4142	11.10	4221	11.61	4300	12.14	4382	12.70
1800	4137	3657	8.58	3748	9.09	3836	9.61	3923	10.12	4007	10.64	4089	11.17	4170	11.69	4249	12.22	4326	12.76		
1900	4367	3685	9.06	3776	9.59	3865	10.13	3951	10.67	4035	11.21	4118	11.75	4198	12.30	4277	12.85	4354	13.40		
2000	4597	3715	9.56	3805	10.11	3894	10.66	3980	11.22	4064	11.78	4146	12.35	4227	12.92	4305	13.49	4382	14.06		
2100	4827	3744	10.06	3834	10.64	3923	11.21	4009	11.79	4093	12.37	4175	12.96	4255	13.55	4334	14.14				
2200	5057	3773	10.58	3864	11.18	3952	11.77	4038	12.38	4122	12.98	4204	13.59	4284	14.20	4363	14.81				
2300	5287	3804	11.13	3893	11.73	3981	12.35	4067	12.97	4151	13.60	4233	14.23	4313	14.86						
2400	5517	3847	11.79	3929	12.36	4011	12.94	4096	13.59	4180	14.24	4262	14.89	4342	15.54						
2500	5747	3890	12.48	3972	13.06	4051	13.65	4128	14.24	4210	14.89	4291	15.56	4371	16.23						
2600	5977	3934	13.19	4015	13.80	4094	14.41	4171	15.02	4247	15.63										
2700	6206	3978	13.93	4059	14.56	4138	15.19	4215	15.83	4290	16.46	4363	17.10								
2800	6436	4023	14.69	4103	15.35	4182	16.00	4258	16.66	4333	17.32										
2900	6666	4067	15.48	4147	16.16	4226 </															



RBE - 11 BELT DRIVE RATING TABLES

Ratings at 70°F., .075 Density, Sea Level

WHEEL

Dia. - 19 1/8"

OUTLET O.D.

Size - 10 3/4" X 9 3/8"
Area - .66 Sq. Ft.

INLET O.D.

Size - 11"
Area - .66 Sq. Ft.

Series 18 = light face above Series 25

Series 25 = bold face

Series 32 = italic face below Series 25

NOTE: See pages 23, 25 or 26 for minimum motor frame sizes regardless of BHP.

SEE PAGE 22 FOR MAX. WHEEL RPM AND WR².

VOL. CFM	O.V. FPM	2" SP		4" SP		6" SP		8" SP		10" SP		12" SP		14" SP		16" SP		18" SP		20" SP	
		RPM	BHP	RPM	BHP	RPM	BHP	RPM	BHP	RPM	BHP	RPM	BHP	RPM	BHP	RPM	BHP	RPM	BHP	RPM	BHP
700	1060	992	.36	1384	.81																
850	1287	1013	.44	1394	.91																
1000	1515	1036	.52	1404	1.03	1704	1.64	1958	2.29												
1150	1742	1067	.61	1425	1.18	1715	1.80	1968	2.51	2191	3.26										
1300	1969	1099	.71	1446	1.34	1730	2.00	1978	2.73	2201	3.54	2403	4.37	2588	5.25						
1450	2196	1134	.83	1472	1.51	1751	2.23	1990	2.98	2211	3.81	2413	4.70	2598	5.63						
1600	2424	1170	.97	1504	1.70	1772	2.47	2011	3.28	2222	4.11	2423	5.04	2608	6.02	2771	6.59	2943	8.06	3097	9.13
1750	2651	1208	1.12	1535	1.90	1798	2.73	2033	3.59	2243	4.48	2434	5.39	2619	6.41	2791	7.47	2953	8.56	3107	9.67
1900	2878	1251	1.29	1567	2.11	1829	3.00	2054	3.92	2265	4.87	2455	5.84	2630	6.83	2801	7.92	2963	9.06	3117	10.23
2050	3106	1298	1.50	1603	2.36	1860	3.29	2082	4.27	2286	5.27	2476	6.30	2651	7.35	2815	8.41	2974	9.57	3127	10.79
2200	3333	1345	1.72	1640	2.62	1892	3.60	2113	4.64	2309	5.69	2498	6.78	2673	7.89	2836	9.02	2989	10.15	3137	11.35
2350	3560	1393	1.97	1677	2.90	1925	3.93	2145	5.03	2340	6.14	2519	7.27	2694	8.45	2857	9.63	3010	10.83	3155	12.05
2500	3787	1443	2.25	1715	3.21	1961	4.30	2176	5.43	2371	6.61	2548	7.80	2715	9.02	2878	10.27	3031	11.53	3176	12.81
2650	4015	1494	2.55	1758	3.56	1997	4.69	2208	5.86	2403	7.10	2579	8.35	2742	9.62	2900	10.92	3053	12.24	3197	13.58
2800	4242	1546	2.88	1804	3.96	2034	5.11	2243	6.33	2434	7.61	2610	8.93	2773	10.26	2924	11.60	3074	12.98	3219	14.38
2950	4469	1598	3.24	1851	4.38	2072	5.55	2279	6.84	2466	8.14	2642	9.52	2804	10.91	2955	12.32	3098	13.73	3240	15.19
3100	4696	1651	3.63	1899	4.84	2110	6.01	2316	7.37	2501	8.72	2674	10.14	2835	11.60	2986	13.06	3129	14.54	3263	16.03
3250	4924	1705	4.05	1947	5.33	2155	6.56	2353	7.93	2537	9.35	2706	10.79	2867	12.30	3018	13.83	3160	15.37	3294	16.92
3400	5151	1759	4.50	1995	5.85	2201	7.15	2391	8.52	2573	10.00	2740	11.49	2899	13.04	3049	14.63	3191	16.23	3325	17.84
3550	5378	1815	5.01	2045	6.41	2247	7.78	2429	9.13	2610	10.69	2776	12.24	2931	13.80	3081	15.45	3222	17.11	3356	18.79
3700	5606	1872	5.55	2096	7.01	2295	8.44	2472	9.83	2648	11.40	2813	13.02	2966	14.63	3113	16.30	3254	18.03	3388	19.77
3850	5833	1929	6.13	2148	7.65	2342	9.15	2518	10.61	2685	12.15	2850	13.83	3003	15.51	3146	17.19	3286	18.97	3419	20.77
4000	6060	1986	6.75	2200	8.33	2390	9.89	2564	11.42	2723	12.92	2887	14.68	3039	16.43	3182	18.17	3318	19.95	3451	21.81
4150	6287	2044	7.41	2252	9.05	2439	10.68	2611	12.27	2767	13.83	2924	15.56	3076	17.38	3218	19.19	3353	21.00	3483	22.88
4300	6515	2103	8.12	2305	9.81	2489	11.51	2658	13.17	2814	14.79	2962	16.48	3113	18.36	3255	20.24	3389	22.12	3516	23.99
4450	6742	2161	8.87	2359	10.62	2540	12.38	2706	14.11	2860	15.81	3002	17.46	3151	19.38	3292	21.33	3425	23.27	3552	25.21
4600	6969	2220	9.68	2412	11.47	2591	13.31	2754	15.10	2907	16.86	3048	18.59	3188	20.44	3329	22.46	3462	24.47	3588	26.48

VOL. CFM	O.V. FPM	22" SP		24" SP		25" SP		26" SP		27" SP		28" SP		29" SP		30" SP		31" SP		32" SP	
		RPM	BHP	RPM	BHP	RPM	BHP	RPM	BHP	RPM	BHP	RPM	BHP	RPM	BHP	RPM	BHP	RPM	BHP	RPM	BHP
1700	2575	3249	10.62	3389	11.77																
1800	2727	3256	11.02	3396	12.20	3463	12.80	3529	13.41	3594	14.03										
1900	2878	3263	11.42	3402	12.64	3470	13.26	3536	13.88	3601	14.52	3665	15.15	3727	15.79	3789	16.44				
2000	3030	3270	11.83	3409	13.08	3476	13.72	3543	14.36	3608	15.01	3671	15.66	3734	16.32	3795	16.99	3856	17.66	3916	18.33
2100	3181	3276	12.24	3416	13.53	3483	14.18	3549	14.84	3614	15.50	3678	16.17	3741	16.85	3802	17.53	3863	18.22	3922	18.91
2200	3333	3283	12.65	3422	13.97	3490	14.64	3556	15.32	3621	16.00	3685	16.69	3747	17.38	3809	18.08	3869	18.79	3929	19.50
2300	3484	3290	13.07	3429	14.42	3497	15.11	3563	15.81	3628	16.50	3691	17.21	3754	17.92	3816	18.64	3876	19.36	3936	20.08
2400	3636	3300	13.54	3436	14.88	3503	15.58	3569	16.29	3634	17.01	3698	17.73	3761	18.46	3822	19.19	3883	19.93	3942	20.68
2500	3787	3314	14.09	3446	15.39	3510	16.06	3576	16.79	3641	17.52	3705	18.26	3768	19.01	3829	19.76	3890	20.51	3949	21.27
2600	3939	3328	14.65	3460	15.99	3523	16.67	3586	17.34	3648	18.03	3712	18.79	3774	19.55	3836	20.32	3896	21.09	3956	21.87
2700	4090	3342	15.21	3474	16.60	3538	17.29	3600	17.99	3661	18.69	3722	19.40	3781	20.10	3842	20.89	3903	21.68	3963	22.47
2800	4242	3356	15.79	3488	17.21	3552	17.93	3614	18.65	3676	19.37	3736	20.09	3795	20.82	3853	21.55	3910	22.28	3969	23.08
2900	4393	3371	16.37	3502	17.84	3566	18.57	3628	19.31	3690	20.05	3750	20.80	3809	21.55	3867	22.30	3924	23.05	3981	23.80
3000	4545	3385	16.96	3516	18.47	3580	19.22	3642	19.98	3704	20.75	3764	21.51	3823	22.28	3881	23.05	3938	23.83	3995	24.60
3100	4696	3399	17.56	3531	19.11	3594	19.89	3657	20.67	3718	21.45	3778	22.24	3837	23.03	3895	23.82	3952	24.61		
3200	4848	3414	18.17	3545	19.76	3608	20.56	3671	21.36	3732	22.17	3792	22.97	3851	23.78	3909	24.59	3967	25.41		
3300	5000	3433	18.81	3559	20.42	3623	21.24	3685	22.06	3746	22.89	3807	23.72	3866	24.55	3924	25.38	3981	26.21		
3400	5151	3453	19.46	3576	21.10	3637	21.93	3700	22.78	3761	23.62	3821	24.47	3880	25.32	3938	26.18	3995	27.03		
3500	5303	3474	20.13	3596	21.81	3656	22.65	3714	23.50	3775	24.37	3835	25.24	3894	26.11	3952	26.98				
3600	5454	3494	20.82	3617	22.53	3676	23.40	3734	24.26	3791	25.13	3850	26.01	3908	26.90	3966	27.80				
3700	5606	3515	21.51	3637	23.27	3697	24.15	3755	25.04	3812	25.93	3868	26.82	3923	27.71	3981	28.63				
3800	5757	3536	22.22	3658	24.02	3717	24.92	3775	25.83	3832	26.74	3888	27.65	3943	28.56	3997	29.48				
3900	5909	3557	22.94	3679	24.78	3738	25.71	3796	26.63	3853	27.56	3909	28.49	3964	29.43						
4000	6060	3578	23.68	3700	25.56	3759	26.51	3817													

RBE - 13 BELT DRIVE RATING TABLES Ratings at 70°F., .075 Density, Sea Level

WHEEL
Dia. - 22 5/8"

OUTLET O.D.
Size - 12 3/4" X 11"
Area - .93 Sq. Ft.

INLET O.D.
Size - 13"
Area - .92 Sq. Ft.

Series 18 = light face above Series 25
Series 25 = bold face
Series 32 = italic face below Series 25

NOTE: See pages 23, 25 or 26 for minimum motor frame sizes regardless of BHP.

SEE PAGE 22 FOR MAX. WHEEL RPM AND WR².

VOL. CFM	O.V. FPM	2" SP		4" SP		6" SP		8" SP		10" SP		12" SP		13" SP		14" SP		15" SP		16" SP	
		RPM	BHP	RPM	BHP	RPM	BHP	RPM	BHP	RPM	BHP	RPM	BHP	RPM	BHP	RPM	BHP	RPM	BHP	RPM	BHP
900	967	833	.50																		
1100	1182	847	.59	1173	1.25																
1300	1397	865	.68	1179	1.45	1435	2.23														
1500	1612	888	.79	1193	1.62	1441	2.53	1657	3.43												
1700	1827	914	.92	1211	1.79	1449	2.82	1663	3.83	1854	4.85	2026	5.89								
1900	2043	940	1.06	1229	1.97	1467	3.06	1668	4.23	1859	5.35	2032	6.48			2190	7.64	2265	8.23		
2100	2258	969	1.23	1253	2.20	1485	3.31	1686	4.55	1865	5.85	2037	7.09	2118	7.71	2196	8.34	2271	8.97	2343	9.61
2300	2473	999	1.41	1279	2.45	1503	3.57	1704	4.89	1880	6.27	2043	7.69	2123	8.37	2201	9.04	2276	9.72	2349	10.41
2500	2688	1029	1.61	1304	2.73	1526	3.91	1722	5.23	1898	6.68	2058	8.19	2133	8.97	2207	9.75	2282	10.48	2354	11.21
2700	2903	1065	1.86	1331	3.02	1551	4.28	1740	5.58	1916	7.10	2076	8.68	2151	9.50	2223	10.32	2293	11.17	2360	12.02
2900	3118	1103	2.14	1360	3.35	1577	4.67	1764	6.05	1934	7.54	2094	9.19	2169	10.03	2241	10.89	2310	11.77	2378	12.66
3100	3333	1141	2.45	1389	3.71	1603	5.09	1789	6.54	1954	8.03	2112	9.70	2187	10.58	2259	11.48	2328	12.39	2395	13.31
3300	3548	1180	2.78	1419	4.09	1629	5.53	1814	7.06	1979	8.63	2130	10.24	2205	11.15	2277	12.08	2346	13.02	2413	13.98
3500	3763	1220	3.15	1450	4.49	1658	6.02	1840	7.61	2005	9.26	2154	10.92	2224	11.76	2295	12.70	2364	13.67	2431	14.66
3700	3978	1261	3.55	1485	4.96	1687	6.55	1866	8.18	2030	9.91	2179	11.66	2249	12.54	2316	13.43	2382	14.34	2450	15.37
3900	4193	1303	3.99	1522	5.49	1717	7.10	1894	8.80	2056	10.59	2204	12.42	2274	13.34	2341	14.27	2407	15.21	2470	16.14
4100	4408	1345	4.46	1560	6.05	1747	7.68	1923	9.47	2082	11.30	2230	13.21	2299	14.18	2367	15.15	2432	16.12	2494	17.10
4300	4623	1388	4.97	1598	6.66	1778	8.29	1953	10.18	2109	12.05	2255	14.03	2325	15.04	2392	16.05	2457	17.07	2519	18.09
4500	4838	1431	5.53	1636	7.30	1813	9.00	1982	10.92	2138	12.88	2281	14.89	2351	15.94	2418	16.99	2482	18.05	2545 19.11	
4700	5053	1474	6.12	1675	7.98	1850	9.78	2012	11.69	2167	13.74	2308	15.79	2377	16.86	2443	17.96	2508	19.06	2570 20.16	
4900	5268	1519	6.77	1715	8.72	1887	10.60	2043	12.49	2197	14.64	2337	16.78	2404	17.85	2469	18.96	2534	20.10	2596 21.25	
5100	5483	1565	7.47	1756	9.50	1925	11.47	2075	13.37	2227	15.58	2367	17.81	2433	18.92	2497	20.03	2560 21.18	2622 22.37		
5300	5698	1610	8.22	1798	10.33	1963	12.38	2112	14.38	2257	16.56	2396	18.88	2462	20.04	2526 21.19	2587 22.35	2648 23.53			
5500	5913	1656	9.03	1839	11.21	2002	13.35	2150	15.44	2287	17.57	2426	19.99	2492	21.19	2555 22.39	2617 23.59	2676 24.79			
5700	6129	1703	9.88	1882	12.14	2041	14.37	2187	16.55	2320	18.68	2456	21.14	2522 22.39	2585 23.63	2646 24.88	2705 26.12				
5900	6344	1750	10.79	1924	13.13	2080	15.44	2225	17.72	2357	19.94	2487	22.33	2552 23.63	2614 24.92	2675 26.21	2735 27.50				
6100	6559	1797	11.76	1967	14.17	2121	16.58	2263	18.94	2394	21.25	2517	23.57	2582 24.91	2644 26.25	2705 27.59	2764 28.92				
6300	6774	1844	12.79	2010	15.27	2162	17.77	2302	20.22	2432	22.62	2552 24.97	2612 26.24	2675 27.63	2735 29.01						
6500	6989	1891	13.88	2053	16.43	2204	19.03	2341	21.56	2469	24.05	2589 26.49	2645 27.70	2705 29.06	2765 30.48	2824 31.91					

VOL. CFM	O.V. FPM	17" SP		18" SP		19" SP		20" SP		21" SP		22" SP		23" SP		24" SP		25" SP		26" SP	
		RPM	BHP	RPM	BHP	RPM	BHP	RPM	BHP	RPM	BHP	RPM	BHP	RPM	BHP	RPM	BHP	RPM	BHP	RPM	BHP
2150	2311	2415	10.46	2483	11.12	2550 11.78															
2300	2473	2419	11.10	2487	11.79	2554 12.49	2619 13.19	2682 13.90	2743 14.61												
2450	2634	2423	11.74	2492	12.46	2558 13.20	2623 13.94	2686 14.68	2747 15.42	2808 16.17	2867 16.92	2924 17.68									
2600	2795	2427	12.38	2496	13.14	2562 13.91	2627 14.69	2690 15.46	2752 16.24	2812 17.03	2871 17.82	2928 18.61	2985 19.41								
2750	2956	2432	13.03	2500	13.83	2566 14.63	2631 15.44	2694 16.25	2756 17.07	2816 17.89	2875 18.72	2933 19.54	2989 20.37								
2900	3118	2443	13.56	2506	14.47	2570 15.36	2635 16.20	2698 17.05	2760 17.90	2820 18.76	2879 19.62	2937 20.48	2993 21.35								
3050	3279	2456	14.07	2520	15.01	2581 15.96	2641 16.93	2702 17.85	2764 18.74	2824 19.63	2883 20.53	2941 21.43	2997 22.33								
3200	3440	2470	14.59	2533	15.56	2595 16.53	2655 17.52	2713 18.52	2770 19.53	2828 20.51	2887 21.44	2945 22.37	3002 23.31								
3350	3602	2483	15.12	2546 16.11	2608 17.11	2668 18.13	2726 19.15	2784 20.19	2839 21.23	2894 22.29	2949 23.33	3006 24.30	3066 25.36								
3500	3763	2496	15.66	2560 16.68	2621 17.70	2681 18.74	2740 19.79	2797 20.85	2853 21.92	2907 23.01	2961 24.10	3014 25.20	3071 26.30								
3650	3924	2510	16.21	2573 17.25	2635 18.30	2695 19.37	2753 20.44	2810 21.53	2866 22.62	2921 23.73	2974 24.85	3027 25.98	3084 27.14								
3800	4086	2524	16.78	2587 17.84	2648 18.92	2708 20.00	2767 21.10	2824 22.21	2879 23.33	2934 24.47	2988 25.61	3041 26.76	3094 27.91								
3950	4247	2537 17.35	2600 18.44	2662 19.54	2722 20.65	2780 21.78	2837 22.91	2893 24.06	2947 25.21	3001 26.38	3053 27.56	3107 28.75	3161 29.94								
4100	4408	2555 18.08	2615 19.07	2675 20.17	2735 21.31	2794 22.46	2851 23.62	2906 24.79	2961 25.97	3014 27.17	3067 28.37	3121 29.57	3175 30.77								
4250	4569	2574 18.85	2633 19.87	2691 20.89	2749 21.98	2807 23.16	2864 24.34	2920 25.54	2974 26.73	3027 27.93	3079 29.14	3131 30.35	3184 31.55								
4400	4731	2593 19.64	2652 20.69	2710 21.74	2766 22.80	2821 23.86	2876 25.08	2934 26.30	2988 27.53	3041 28.77	3094 29.94	3146 31.14	3198 32.34								
4550	4892	2612 20.44	2671 21.52	2729 22.60	2785 23.69	2839 24.78	2893 25.88	2947 27.07	3000 28.33	3052 29.60	3104 30.87	3156 32.14	3208 33.41								
4700	5053	2631 21.27	2690 22.38	2747 23.49	2803 24.61	2858 25.73	2912 26.86	2964 27.99	3016 29.14	3068 30.43	3119 31.63	3171 32.82	3222 34.01								
4850	5215	2650 22.11	2709 23.25	2766 24.39	2822 25.54	2877 26.70	2930 27.85	2983 29.01	3034 30.18	3084 31.35	3135 32.54	3186 33.73	3237 34.92								
5000	5376	2669 22.97	2728 24.14	2785 25.32	2841 26.50	2896 27.68	2949 28.87	3001 30.06	3052 31.26	3102 32.46	3152 33.66	3203 34.85	3254 36.04								
5150	5537	2689 23.85	2747 25.06	2805 26.27	2860 27.48	2915 28.69	2968 29.91	3020 31.13	3071 32.32	3121 33.51	3171 34.70	3222 35.89	3273 37.08								
5300	5698	2708 24.76	2767 25.99	2824 27.23																	



RBE - 13 BELT DRIVE RATING TABLES

Ratings at 70°F., .075 Density, Sea Level

WHEEL
Dia. - 22 5/8"

OUTLET O.D.
Size - 12 3/4" X 11"
Area - .93 Sq. Ft.

INLET O.D.
Size - 13"
Area - .92 Sq. Ft.

Series 25 = bold face
Series 32 = italic face below Series 25
Series 40 = tinted ratings below Series 32

(Continued from page 10)

SEE PAGE 22 FOR MAX. WHEEL RPM AND WR².

VOL. CFM	O.V. FPM	22" SP		23" SP		24" SP		25" SP		26" SP		27" SP		28" SP		29" SP		30" SP		31" SP	
		RPM	BHP	RPM	BHP	RPM	BHP	RPM	BHP	RPM	BHP	RPM	BHP	RPM	BHP	RPM	BHP	RPM	BHP	RPM	BHP
2450	2634	2747	15.42	2808	16.17	2867	16.92	2924	17.68												
2600	2795	2752	16.24	2812	17.03	2871	17.82	2928	18.61	2985	19.41	3041	20.20	3095	21.01	<i>3148 21.81</i>					
2750	2956	2756	17.07	2816	17.89	2875	18.72	2933	19.54	2989	20.37	3045	21.21	3099	22.05	<i>3153 22.89</i>	<i>3205 23.73</i>				
2900	3118	2760	17.90	2820	18.76	2879	19.62	2937	20.48	2993	21.35	3049	22.22	3103	23.09	<i>3157 23.97</i>	<i>3209 24.85</i>	<i>3257 24.58</i>			
3050	3279	2764	18.74	2824	19.63	2883	20.53	2941	21.43	2997	22.33	3053	23.23	3107	24.14	<i>3161 25.06</i>	<i>3214 25.97</i>	<i>3265 26.89</i>			
3200	3440	2770	19.53	2828	20.51	2887	21.44	2945	22.37	3002	23.31	3057	24.25	3111	25.20	<i>3165 26.15</i>	<i>3218 27.10</i>	<i>3269 28.05</i>			
3350	3602	2784	20.19	2839	21.23	2894	22.29	2949	23.33	3006	24.30	3061	25.28	3116	26.26	<i>3169 27.25</i>	<i>3222 28.23</i>	<i>3273 29.22</i>			
3500	3763	2797	20.85	2853	21.92	2907	23.01	2961	24.10	3014	25.20	3065	26.31	3120	27.33	<i>3173 28.35</i>	<i>3226 29.37</i>	<i>3278 30.40</i>			
3650	3924	2810	21.53	2866	22.62	2921	23.73	2974	24.85	3027	25.98	3078	27.12	<i>3129 28.26</i>	<i>3179 29.42</i>	<i>3230 30.52</i>	<i>3281 31.58</i>	<i>3328 31.58</i>			
3800	4086	2824	22.21	2879	23.33	2934	24.47	2988	25.61	3040	26.76	3092	27.93	<i>3142 29.10</i>	<i>3192 30.28</i>	<i>3241 31.48</i>	<i>3291 32.68</i>	<i>3339 32.68</i>			
3950	4247	2837	22.91	2893	24.06	2947	25.21	3001	26.38	3053	27.56	3105	28.75	<i>3155 29.95</i>	<i>3205 31.15</i>	<i>3254 32.37</i>	<i>3302 33.60</i>	<i>3349 33.60</i>			
4100	4408	2851	23.62	2906	24.79	2961	25.97	3014	27.17	3067	28.37	3118	29.58	<i>3169 30.81</i>	<i>3218 32.04</i>	<i>3267 33.28</i>	<i>3315 34.53</i>	<i>3362 34.53</i>			
4250	4569	2864	24.34	2920	25.54	2974	26.75	3028	27.96	3080	29.19	<i>3132 30.43</i>	<i>3182 31.68</i>	<i>3232 32.94</i>	<i>3281 34.20</i>	<i>3329 35.48</i>	<i>3377 35.48</i>	<i>3424 35.48</i>			
4400	4731	2878	25.08	2934	26.30	2988	27.53	3041	28.77	3094	30.03	<i>3145 31.29</i>	<i>3196 32.56</i>	<i>3245 33.85</i>	<i>3294 35.14</i>	<i>3342 36.44</i>	<i>3389 36.44</i>	<i>3436 36.44</i>			
4550	4892	2892	25.88	2947	27.07	3002	28.33	3055	29.60	3107	30.87	<i>3159 32.16</i>	<i>3210 33.46</i>	<i>3259 34.77</i>	<i>3307 36.08</i>	<i>3355 37.41</i>	<i>3402 37.41</i>	<i>3449 37.41</i>			
4700	5053	2912	26.86	2964	27.99	3015	29.14	3069	30.43	3121	31.73	<i>3172 33.05</i>	<i>3223 34.37</i>	<i>3272 35.70</i>	<i>3321 37.05</i>	<i>3369 38.40</i>	<i>3417 38.40</i>	<i>3464 38.40</i>			
4850	5215	2930	27.85	2983	29.01	3034	30.18	3084	31.35	<i>3135 32.61</i>	<i>3186 33.95</i>	<i>3236 35.29</i>	<i>3286 36.65</i>	<i>3334 38.02</i>	<i>3382 39.40</i>	<i>3430 39.40</i>	<i>3477 39.40</i>	<i>3524 39.40</i>			
5000	5376	2949	28.87	3001	30.06	3052	31.26	<i>3102 32.46</i>	<i>3152 33.66</i>	<i>3200 34.87</i>	<i>3248 36.06</i>	<i>3296 37.30</i>	<i>3343 38.59</i>	<i>3389 39.91</i>	<i>3436 40.41</i>	<i>3483 40.41</i>	<i>3529 40.41</i>	<i>3576 40.41</i>			
5150	5537	2968	29.91	3020	31.13	<i>3071 32.36</i>	<i>3121 33.59</i>	<i>3170 34.82</i>	<i>3218 36.06</i>	<i>3266 37.30</i>	<i>3313 38.59</i>	<i>3359 39.82</i>	<i>3405 41.10</i>	<i>3451 42.42</i>	<i>3496 43.73</i>	<i>3541 43.73</i>	<i>3587 43.73</i>	<i>3633 43.73</i>			
5300	5698	2987	30.97	3039	32.22	<i>3090 33.48</i>	<i>3140 34.74</i>	<i>3189 36.00</i>	<i>3237 37.27</i>	<i>3284 38.54</i>	<i>3331 39.82</i>	<i>3377 41.10</i>	<i>3423 42.48</i>	<i>3469 43.73</i>	<i>3515 45.04</i>	<i>3561 45.04</i>	<i>3607 45.04</i>	<i>3653 45.04</i>			
5450	5860	3006	32.05	<i>3058 33.34</i>	<i>3109 34.63</i>	<i>3159 35.92</i>	<i>3208 37.21</i>	<i>3256 38.51</i>	<i>3303 39.81</i>	<i>3350 41.11</i>	<i>3396 42.42</i>	<i>3442 43.73</i>	<i>3488 45.04</i>	<i>3534 46.35</i>	<i>3580 47.66</i>	<i>3626 47.66</i>	<i>3672 47.66</i>	<i>3718 47.66</i>			
5600	6021	<i>3025 33.16</i>	<i>3077 34.47</i>	<i>3128 35.79</i>	<i>3178 37.11</i>	<i>3227 38.44</i>	<i>3275 39.77</i>	<i>3322 41.10</i>	<i>3368 42.44</i>	<i>3414 43.73</i>	<i>3460 45.04</i>	<i>3506 46.35</i>	<i>3552 47.66</i>	<i>3598 49.07</i>	<i>3644 50.39</i>	<i>3690 50.39</i>	<i>3736 50.39</i>	<i>3782 50.39</i>			
5750	6182	<i>3045 34.29</i>	<i>3096 35.63</i>	<i>3147 36.98</i>	<i>3197 38.34</i>	<i>3246 39.69</i>	<i>3294 41.05</i>	<i>3341 42.41</i>	<i>3387 43.78</i>	<i>3433 45.15</i>	<i>3479 46.46</i>	<i>3525 47.78</i>	<i>3571 49.09</i>	<i>3617 50.41</i>	<i>3663 51.74</i>	<i>3709 51.74</i>	<i>3755 51.74</i>	<i>3801 51.74</i>			
5900	6344	<i>3064 35.44</i>	<i>3115 36.82</i>	<i>3166 38.20</i>	<i>3216 39.58</i>	<i>3265 40.97</i>	<i>3313 42.36</i>	<i>3360 43.75</i>	<i>3406 45.15</i>	<i>3451 46.55</i>	<i>3496 47.95</i>	<i>3542 49.28</i>	<i>3588 50.60</i>	<i>3634 51.94</i>	<i>3680 53.28</i>	<i>3726 53.28</i>	<i>3772 53.28</i>	<i>3818 53.28</i>			
6050	6505	<i>3083 36.61</i>	<i>3135 38.02</i>	<i>3186 39.44</i>	<i>3235 40.85</i>	<i>3284 42.27</i>	<i>3332 43.69</i>	<i>3379 45.12</i>	<i>3425 46.54</i>	<i>3470 47.97</i>	<i>3515 49.31</i>	<i>3561 50.60</i>	<i>3607 51.94</i>	<i>3653 53.28</i>	<i>3700 54.60</i>	<i>3746 54.60</i>	<i>3792 54.60</i>	<i>3838 54.60</i>			
6200	6666	<i>3103 37.81</i>	<i>3155 39.25</i>	<i>3205 40.70</i>	<i>3255 42.15</i>	<i>3303 43.60</i>	<i>3351 45.05</i>	<i>3398 46.50</i>	<i>3444 47.96</i>	<i>3489 49.43</i>	<i>3535 50.90</i>	<i>3581 52.24</i>	<i>3627 53.57</i>	<i>3673 54.90</i>	<i>3719 56.19</i>	<i>3765 56.19</i>	<i>3811 56.19</i>	<i>3857 56.19</i>			
6350	6827	<i>3124 39.08</i>	<i>3174 40.51</i>	<i>3225 41.99</i>	<i>3274 43.46</i>	<i>3323 44.95</i>	<i>3370 46.43</i>	<i>3417 47.92</i>	<i>3463 49.41</i>	<i>3509 50.90</i>	<i>3555 52.40</i>	<i>3601 53.73</i>	<i>3647 55.06</i>	<i>3693 56.39</i>	<i>3739 57.71</i>	<i>3785 57.71</i>	<i>3831 57.71</i>	<i>3877 57.71</i>			
6500	6989	<i>3145 40.43</i>	<i>3195 41.84</i>	<i>3244 43.30</i>	<i>3294 44.81</i>	<i>3342 46.32</i>	<i>3390 47.84</i>	<i>3436 49.36</i>	<i>3483 50.88</i>	<i>3528 52.40</i>	<i>3574 53.93</i>	<i>3620 55.26</i>	<i>3666 56.59</i>	<i>3712 57.91</i>	<i>3758 59.24</i>	<i>3804 59.24</i>	<i>3850 59.24</i>	<i>3896 59.24</i>			

VOL. CFM	O.V. FPM	32" SP		33" SP		34" SP		35" SP		36" SP		37" SP		38" SP		39" SP		40" SP		41" SP	
		RPM	BHP	RPM	BHP	RPM	BHP	RPM	BHP	RPM	BHP	RPM	BHP	RPM	BHP	RPM	BHP	RPM	BHP	RPM	BHP
2750	2956	3308	25.43																		
2900	3118	3312	26.62	3362	27.51	3412	28.40	3460	29.30	3508	30.20										
3050	3279	3316	27.81	3366	28.74	3416	29.67	3464	30.60	3512	31.53	3560	32.47	3606	33.41	3652	34.35	3698	35.30		
3200	3440	3320	29.01	3370	29.97	3420	30.94	3468	31.90	3516	32.87	3564	33.85	3610	34.82	3656	35.80	3702	36.78	3747	37.77
3350	3602	3324	30.22	3375	31.21	3424	32.21	3472	33.21	3520	34.22	3568	35.23	3614	36.24	3660	37.25	3706	38.27	3751	39.29
3500	3763	3329	31.43	3379	32.46	3428	33.49	3477	34.53	3525	35.57	3572	36.62	3618	37.66	3665	38.71	3710	39.77	3755	40.82
3650	3924	3333	32.64	3383	33.71	3432	34.78	3481	35.86	3529	36.93	3576	38.01	3623	39.10	3669					

RBE - 15 BELT DRIVE RATING TABLES Ratings at 70°F., .075 Density, Sea Level

WHEEL
Dia. - 26 1/8"

OUTLET O.D.
Size - 14 1/2" X 12 3/4"
Area - 1.24 Sq. Ft.

INLET O.D.
Size - 15"
Area - 1.27 Sq. Ft.

Series 18 = light face above Series 25
Series 25 = bold face
Series 32 = italic face below Series 25

NOTE: See pages 23, 25 or 26 for minimum motor frame sizes regardless of BHP.

SEE PAGE 22 FOR MAX. WHEEL RPM AND WR².

VOL. CFM	O.V. FPM	2" SP		4" SP		6" SP		8" SP		10" SP		12" SP		13" SP		14" SP		15" SP		16" SP	
		RPM	BHP	RPM	BHP	RPM	BHP	RPM	BHP	RPM	BHP	RPM	BHP	RPM	BHP	RPM	BHP	RPM	BHP	RPM	BHP
1600	1290	742	.81	1030	1.70																
1850	1491	757	.95	1035	1.90																
2100	1693	774	1.10	1042	2.13	1265	3.29														
2350	1895	796	1.29	1055	2.39	1269	3.60	1459	4.95												
2600	2096	819	1.49	1069	2.67	1278	3.95	1463	5.35	1630	6.87										
2850	2298	842	1.72	1084	2.95	1290	4.35	1469	5.77	1635	7.37	1786	9.03	1857	9.88						
3100	2500	869	1.97	1106	3.31	1305	4.76	1480	6.29	1640	7.87	1791	9.63	1862	10.53	1930	11.44	1995	12.37		
3350	2701	896	2.26	1128	3.69	1319	5.18	1493	6.82	1649	8.49	1796	10.24	1866	11.18	1934	12.14	2000	13.11	2063	14.09
3600	2903	925	2.57	1151	4.09	1337	5.65	1508	7.37	1661	9.15	1804	10.94	1871	11.85	1939	12.85	2005	13.86	2068	14.89
3850	3104	953	2.91	1174	4.52	1359	6.19	1522	7.93	1675	9.82	1815	11.73	1882	12.69	1947	13.65	2010	14.62	2073	15.70
4100	3306	983	3.28	1198	4.98	1382	6.77	1539	8.53	1690	10.51	1828	12.53	1893	13.55	1957	14.57	2020	15.59	2080	16.61
4350	3508	1014	3.70	1225	5.50	1404	7.37	1561	9.25	1705	11.22	1843	13.34	1908	14.42	1970	15.49	2031	16.58	2091	17.66
4600	3709	1046	4.16	1252	6.06	1427	8.01	1583	10.00	1722	11.98	1858	14.18	1922	15.31	1985	16.44	2045	17.57	2103	18.72
4850	3911	1079	4.66	1280	6.66	1451	8.68	1606	10.78	1744	12.88	1873	15.04	1937	16.22	1999	17.40	2060	18.59	2118	19.79
5100	4112	1112	5.20	1309	7.29	1475	9.39	1629	11.60	1766	13.81	1891	16.01	1952	17.16	2014	18.39	2074	19.64	2133	20.88
5350	4314	1145	5.77	1337	7.97	1502	10.18	1652	12.46	1789	14.78	1913	17.09	1972	18.24	2029	19.41	2089	20.71	2147	22.01
5600	4516	1179	6.40	1366	8.68	1530	11.02	1675	13.36	1812	15.79	1936	18.21	1994	19.42	2051	20.63	2105	21.84	2162	23.16
5850	4717	1214	7.07	1396	9.45	1558	11.90	1699	14.29	1835	16.84	1958	19.38	2017	20.64	2073	21.91	2128	23.17	2180	24.43
6100	4919	1250	7.81	1428	10.29	1586	12.83	1726	15.34	1858	17.94	1981	20.59	2039	21.91	2096	23.23	2150	24.54	2203 25.86	
6350	5120	1286	8.61	1460	11.19	1615	13.81	1754	16.44	1881	19.07	2004	21.84	2062	23.22	2118	24.59	2172	25.97	2225 27.34	
6600	5322	1323	9.45	1492	12.14	1643	14.84	1782	17.59	1906	20.28	2027	23.14	2085	24.58	2141	26.01	2195 27.44	2247 28.86		
6850	5524	1360	10.36	1525	13.14	1672	15.92	1810	18.79	1933	21.60	2051	24.49	2108	25.98	2164	27.47	2218 28.96	2270 30.44		
7100	5725	1397	11.33	1558	14.20	1702	17.05	1838	20.04	1961	22.98	2074	25.88	2132	27.44	2187 28.98	2241 30.53	2241 30.53	2293 32.07		
7350	5927	1435	12.36	1591	15.32	1733	18.29	1866	21.35	1989	24.41	2101	27.41	2155	28.94	2211	30.55	2264 32.15	2316 33.75		
7600	6129	1473	13.45	1624	16.50	1765	19.59	1895	22.72	2017	25.90	2128	29.02	2181	30.57	2234 32.16	2287 33.82	2287 33.82	2339 35.48		
7850	6330	1511	14.61	1658	17.74	1797	20.96	1924	24.15	2045	27.45	2156	30.69	2209 32.30	2260 33.89	2260 33.89	2311 35.55	2363 37.27			
8100	6532	1549	15.84	1692	19.05	1830	22.39	1953	25.65	2073	29.06	2184	32.43	2236 34.09	2287 35.74	2287 35.74	2336 37.39	2386 39.11			
8350	6733	1587	17.14	1727	20.45	1862	23.89	1984	27.24	2102	30.74	2212 34.22	2264 35.95	2264 35.95	2314 37.66	2363 39.37	2411 41.06				
8600	6935	1626	18.51	1764	21.94	1895	25.46	2016	28.93	2131	32.49	2240 36.09	2292 37.87	2292 37.87	2342 39.64	2391 41.41	2438 43.16				

VOL. CFM	O.V. FPM	17" SP		18" SP		19" SP		20" SP		21" SP		22" SP		23" SP		24" SP		25" SP		26" SP	
		RPM	BHP	RPM	BHP	RPM	BHP	RPM	BHP	RPM	BHP	RPM	BHP	RPM	BHP	RPM	BHP	RPM	BHP	RPM	BHP
3400	2741	2126	15.26	2186	16.27	2244 17.29															
3600	2903	2130	15.93	2190 16.99	2248 18.05		2304 19.12	2359 20.20													
3800	3064	2134	16.62	2193 17.71	2251 18.81		2308 19.91	2363 21.03	2417 22.16	2470 23.30											
4000	3225	2137	17.30	2197 18.43	2255 19.57		2312 20.71	2367 21.87	2421 23.04	2474 24.22	2525 25.40	2576 26.60	2625 27.80								
4200	3387	2143	18.08	2201 19.16	2259 20.34	2316 21.52	2371 22.71	2425 23.92	2478 25.13	2529 26.36	2580 27.59	2629 28.83									
4400	3548	2152	18.97	2209 20.06	2264 21.17	2319 22.33	2375 23.56	2429 24.81	2481 26.06	2533 27.32	2583 28.59	2633 29.87									
4600	3709	2160	19.86	2217 21.01	2273 22.15	2327 23.30	2379 24.45	2432 25.70	2485 26.99	2537 28.28	2587 29.59	2637 30.91									
4800	3870	2171	20.76	2226 21.96	2281 23.15	2335 24.35	2388 25.54	2439 26.74	2489 27.95	2541 29.26	2591 30.60	2640 31.96									
5000	4032	2183	21.67	2238 22.91	2291 24.16	2344 25.40	2396 26.64	2448 27.89	2498 29.14	2547 30.39	2595 31.64	2644 33.01									
5200	4193	2195 22.60	2250 23.88	2303 25.17	2355 26.46	2405 27.76	2456 29.05	2507 30.34	2556 31.64	2604 32.93	2651 34.24	2699 35.59									
5400	4354	2207 23.55	2261 24.87	2315 26.20	2366 27.53	2417 28.87	2467 30.21	2515 31.56	2564 32.90	2612 34.24	2659 35.59	2707 36.92									
5600	4516	2218 24.51	2273 25.88	2326 27.25	2378 28.62	2429 30.00	2478 31.39	2527 32.78	2574 34.17	2621 35.57	2668 36.96	2716 38.73									
5800	4677	2230 25.50	2285 26.90	2338 28.32	2390 29.73	2441 31.15	2490 32.58	2538 34.01	2586 35.45	2632 36.89	2677 38.33	2724 40.18									
6000	4838	2245 26.57	2297 27.95	2350 29.40	2402 30.86	2452 32.32	2502 33.79	2550 35.26	2597 36.74	2644 38.23	2689 39.71	2736 41.64									
6200	5000	2262 27.78	2312 29.12	2362 30.51	2414 32.01	2464 33.51	2514 35.02	2562 36.54	2609 38.06	2655 39.58	2701 41.11	2748 42.64									
6400	5161	2280 29.02	2330 30.40	2378 31.78	2426 33.17	2476 34.72	2525 36.28	2574 37.83	2621 39.40	2667 40.96	2712 42.53	2760 44.09									
6600	5322	2298 30.29	2348 31.71	2396 33.14	2443 34.56	2489 35.98	2537 37.55	2586 39.15	2633 40.75	2679 42.36	2724 43.97	2772 45.64									
6800	5483	2316 31.59	2366 33.06	2414 34.53	2461 35.99	2507 37.46	2551 38.92	2598 40.49	2645 42.13	2691 43.78	2736 45.44	2784 47.73									
7000	5645	2334 32.93	2384 34.44	2432 35.95	2479 37.46	2524 38.97	2569 40.48	2613 41.99	2657 43.53	2703 45.23	2748 46.92	2796 49.07									
7200	5806	2353 34.29	2402 35.85	2450 37.41	2497 38.97	2542 40.52	2587 42.07	2631 43.62	2673 45.17	2719 46.73	2766 48.88	2814 51.11									
7400	5967	2371 35.70	2420 37.30	2468 38.90	2515 40.50	2560 42.10	2605 43.70	2648 45.29	2691 46.89	2733 48.48	2774 50.08	2822 52.24									
7600	6129	2389 37.13	2438 38.78	2486 40.43	2533 42.08</																



RBE - 15 BELT DRIVE RATING TABLES

Ratings at 70°F., .075 Density, Sea Level

WHEEL

Dia. - 26 1/8"

OUTLET O.D.

Size - 14 1/2" X 12 3/4"
Area - 1.24 Sq. Ft.

INLET O.D.

Size - 15"
Area - 1.27 Sq. Ft.

Series 25 = bold face

Series 32 = italic face below Series 25

Series 40 = tinted ratings below Series 32

(Continued from page 12)

SEE PAGE 22 FOR MAX. WHEEL RPM AND WR².

VOL. CFM	O.V. FPM	22" SP		23" SP		24" SP		25" SP		26" SP		27" SP		28" SP		29" SP		30" SP		31" SP	
		RPM	BHP	RPM	BHP	RPM	BHP	RPM	BHP	RPM	BHP	RPM	BHP	RPM	BHP	RPM	BHP	RPM	BHP	RPM	BHP
4000	3225	2421	23.04	2474	24.22	2525	25.40	2576	26.60	2625	27.80										
4200	3387	2425	23.92	2478	25.13	2529	26.36	2580	27.59	2629	28.83			<i>2725</i>	<i>31.34</i>	<i>2772</i>	<i>32.61</i>				
4400	3548	2429	24.81	2481	26.06	2533	27.32	2583	28.59	2633	29.87			<i>2729</i>	<i>32.45</i>	<i>2776</i>	<i>33.76</i>	<i>2822</i>	<i>35.07</i>	<i>2867</i>	<i>36.39</i>
4600	3709	2432	25.70	2485	26.99	2537	28.28	2587	29.59	2637	30.91			<i>2733</i>	<i>33.57</i>	<i>2780</i>	<i>34.91</i>	<i>2826</i>	<i>36.26</i>	<i>2871</i>	<i>37.62</i>
4800	3870	2439	26.74	2489	27.95	2541	29.26	2591	30.60	2640	31.96	2689	33.32	<i>2737</i>	<i>34.69</i>	<i>2784</i>	<i>36.07</i>	<i>2830</i>	<i>37.46</i>	<i>2875</i>	<i>38.86</i>
5000	4032	2448	27.89	2498	29.14	2547	30.39	2595	31.64	2644	33.01	2693	34.41	<i>2741</i>	<i>35.82</i>	<i>2787</i>	<i>37.24</i>	<i>2833</i>	<i>38.66</i>	<i>2879</i>	<i>40.10</i>
5200	4193	2456	29.05	2507	30.34	2556	31.64	2604	32.93	2651	34.24	2697	35.54	<i>2744</i>	<i>36.96</i>	<i>2791</i>	<i>38.41</i>	<i>2837</i>	<i>39.87</i>	<i>2882</i>	<i>41.35</i>
5400	4354	2467	30.21	2515	31.56	2564	32.90	2612	34.24	2659	35.59	<i>2706</i>	<i>36.94</i>	<i>2751</i>	<i>38.29</i>	<i>2796</i>	<i>39.64</i>	<i>2841</i>	<i>41.09</i>	<i>2886</i>	<i>42.60</i>
5600	4516	2478	31.39	2527	32.78	2574	34.17	2621	35.57	2668	36.96	<i>2714</i>	<i>38.35</i>	<i>2760</i>	<i>39.74</i>	<i>2804</i>	<i>41.14</i>	<i>2848</i>	<i>42.54</i>	<i>2891</i>	<i>43.95</i>
5800	4677	2490	32.58	2538	34.01	2586	35.45	2632	36.89	2677	38.33	<i>2723</i>	<i>39.78</i>	<i>2768</i>	<i>41.22</i>	<i>2813</i>	<i>42.66</i>	<i>2857</i>	<i>44.11</i>	<i>2900</i>	<i>45.55</i>
6000	4838	2502	33.79	2550	35.26	2597	36.74	2644	38.23	2689	39.71	<i>2734</i>	<i>41.21</i>	<i>2777</i>	<i>42.70</i>	<i>2821</i>	<i>44.19</i>	<i>2865</i>	<i>45.68</i>	<i>2908</i>	<i>47.18</i>
6200	5000	2514	35.02	2562	36.54	2609	38.06	2655	39.58	<i>2701</i>	<i>41.11</i>	<i>2745</i>	<i>42.65</i>	<i>2789</i>	<i>44.18</i>	<i>2832</i>	<i>45.73</i>	<i>2874</i>	<i>47.28</i>	<i>2917</i>	<i>48.82</i>
6400	5161	2525	36.28	2574	37.83	2621	39.40	<i>2667</i>	<i>40.96</i>	<i>2712</i>	<i>42.53</i>	<i>2757</i>	<i>44.11</i>	<i>2801</i>	<i>45.69</i>	<i>2844</i>	<i>47.27</i>	<i>2886</i>	<i>48.86</i>	<i>2927</i>	<i>50.46</i>
6600	5322	2537	37.55	2586	39.15	<i>2633</i>	<i>40.75</i>	<i>2679</i>	<i>42.36</i>	<i>2724</i>	<i>43.97</i>	<i>2769</i>	<i>45.59</i>	<i>2812</i>	<i>47.21</i>	<i>2855</i>	<i>48.84</i>	<i>2897</i>	<i>50.47</i>	<i>2939</i>	<i>52.10</i>
6800	5483	2551	38.92	<i>2598</i>	<i>40.49</i>	<i>2645</i>	<i>42.13</i>	<i>2691</i>	<i>43.78</i>	<i>2736</i>	<i>45.44</i>	<i>2781</i>	<i>47.10</i>	<i>2824</i>	<i>48.76</i>	<i>2867</i>	<i>50.43</i>	<i>2909</i>	<i>52.10</i>	<i>2951</i>	<i>53.78</i>
7000	5645	<i>2569</i>	<i>40.48</i>	<i>2613</i>	<i>41.99</i>	<i>2657</i>	<i>43.53</i>	<i>2703</i>	<i>45.23</i>	<i>2748</i>	<i>46.92</i>	<i>2792</i>	<i>48.63</i>	<i>2836</i>	<i>50.33</i>	<i>2879</i>	<i>52.04</i>	<i>2921</i>	<i>53.76</i>	<i>2963</i>	<i>55.47</i>
7200	5806	<i>2587</i>	<i>42.07</i>	<i>2631</i>	<i>43.62</i>	<i>2673</i>	<i>45.17</i>	<i>2715</i>	<i>46.73</i>	<i>2760</i>	<i>48.43</i>	<i>2804</i>	<i>50.18</i>	<i>2848</i>	<i>51.92</i>	<i>2891</i>	<i>53.68</i>	<i>2933</i>	<i>55.43</i>	<i>2974</i>	<i>57.19</i>
7400	5967	<i>2605</i>	<i>43.70</i>	<i>2648</i>	<i>45.29</i>	<i>2691</i>	<i>46.89</i>	<i>2733</i>	<i>48.48</i>	<i>2774</i>	<i>50.08</i>	<i>2816</i>	<i>51.75</i>	<i>2860</i>	<i>53.54</i>	<i>2903</i>	<i>55.34</i>	<i>2945</i>	<i>57.13</i>	<i>2986</i>	<i>58.94</i>
7600	6129	<i>2623</i>	<i>45.36</i>	<i>2666</i>	<i>47.00</i>	<i>2709</i>	<i>48.64</i>	<i>2751</i>	<i>50.28</i>	<i>2792</i>	<i>51.92</i>	<i>2832</i>	<i>53.55</i>	<i>2872</i>	<i>55.19</i>	<i>2915</i>	<i>57.02</i>	<i>2957</i>	<i>58.86</i>	<i>2998</i>	<i>60.70</i>
7800	6290	<i>2641</i>	<i>47.06</i>	<i>2684</i>	<i>48.75</i>	<i>2727</i>	<i>50.43</i>	<i>2769</i>	<i>52.11</i>	<i>2810</i>	<i>53.79</i>	<i>2850</i>	<i>55.47</i>	<i>2890</i>	<i>57.15</i>	<i>2929</i>	<i>58.83</i>	<i>2969</i>	<i>60.61</i>	<i>3010</i>	<i>62.50</i>
8000	6451	<i>2659</i>	<i>48.80</i>	<i>2702</i>	<i>50.53</i>	<i>2745</i>	<i>52.26</i>	<i>2787</i>	<i>53.98</i>	<i>2828</i>	<i>55.71</i>	<i>2868</i>	<i>57.43</i>	<i>2907</i>	<i>59.16</i>	<i>2946</i>	<i>60.88</i>	<i>2985</i>	<i>62.60</i>	<i>3022</i>	<i>64.33</i>
8200	6612	<i>2677</i>	<i>50.57</i>	<i>2721</i>	<i>52.35</i>	<i>2763</i>	<i>54.12</i>	<i>2805</i>	<i>55.89</i>	<i>2846</i>	<i>57.66</i>	<i>2886</i>	<i>59.43</i>	<i>2925</i>	<i>61.20</i>	<i>2964</i>	<i>62.97</i>	<i>3002</i>	<i>64.74</i>	<i>3040</i>	<i>66.50</i>
8400	6774	<i>2696</i>	<i>52.39</i>	<i>2739</i>	<i>54.21</i>	<i>2781</i>	<i>56.03</i>	<i>2823</i>	<i>57.84</i>	<i>2864</i>	<i>59.66</i>	<i>2904</i>	<i>61.47</i>	<i>2943</i>	<i>63.28</i>	<i>2982</i>	<i>65.10</i>	<i>3020</i>	<i>66.91</i>	<i>3058</i>	<i>68.72</i>
8600	6935	<i>2714</i>	<i>54.24</i>	<i>2757</i>	<i>56.10</i>	<i>2800</i>	<i>57.97</i>	<i>2841</i>	<i>59.83</i>	<i>2882</i>	<i>61.69</i>	<i>2922</i>	<i>63.55</i>	<i>2961</i>	<i>65.41</i>	<i>3000</i>	<i>67.27</i>	<i>3038</i>	<i>69.12</i>	<i>3076</i>	<i>70.98</i>

VOL. CFM	O.V. FPM	32" SP		33" SP		34" SP		35" SP		36" SP		37" SP		38" SP		39" SP		40" SP		41" SP	
		RPM	BHP	RPM	BHP	RPM	BHP	RPM	BHP	RPM	BHP	RPM	BHP	RPM	BHP	RPM	BHP	RPM	BHP	RPM	BHP
4550	3669	<i>2915</i>	<i>38.67</i>	<i>2958</i>	<i>40.04</i>	<i>3002</i>	<i>41.41</i>														
4700	3790	<i>2917</i>	<i>39.63</i>	<i>2961</i>	<i>41.02</i>	<i>3005</i>	<i>42.42</i>	<i>3047</i>	<i>43.83</i>	<i>3089</i>	<i>45.25</i>										
4850	3911	<i>2920</i>	<i>40.58</i>	<i>2964</i>	<i>42.00</i>	<i>3007</i>	<i>43.43</i>	<i>3050</i>	<i>44.87</i>	<i>3092</i>	<i>46.32</i>	<i>3133</i>	<i>47.77</i>	<i>3174</i>	<i>49.23</i>						
5000	4032	<i>2923</i>	<i>41.54</i>	<i>2967</i>	<i>42.99</i>	<i>3010</i>	<i>44.45</i>	<i>3053</i>	<i>45.92</i>	<i>3095</i>	<i>47.39</i>	<i>3136</i>	<i>48.87</i>	<i>3177</i>	<i>50.36</i>	<i>3217</i>	<i>51.85</i>	<i>3257</i>	<i>53.36</i>	<i>3296</i>	<i>54.87</i>
5150	4153	<i>2926</i>	<i>42.50</i>	<i>2970</i>	<i>43.98</i>	<i>3013</i>	<i>45.47</i>	<i>3056</i>	<i>46.96</i>	<i>3098</i>	<i>48.47</i>	<i>3139</i>	<i>49.97</i>	<i>3180</i>	<i>51.49</i>	<i>3220</i>	<i>53.01</i>	<i>3260</i>	<i>54.55</i>	<i>3299</i>	<i>56.08</i>
5300	4274	<i>2929</i>	<i>43.47</i>	<i>2973</i>	<i>44.98</i>	<i>3016</i>	<i>46.49</i>	<i>3058</i>	<i>48.02</i>	<i>3100</i>	<i>49.55</i>	<i>3142</i>	<i>51.08</i>	<i>3183</i>	<i>52.63</i>	<i>3223</i>	<i>54.18</i>	<i>3263</i>	<i>55.74</i>	<i>3302</i>	<i>57.30</i>
5450	4395	<i>2932</i>	<i>44.44</i>	<i>2976</i>	<i>45.98</i>	<i>3019</i>	<i>47.52</i>	<i>3061</i>	<i>49.07</i>	<i>3103</i>	<i>50.63</i>	<i>3145</i>	<i>52.19</i>	<i>3185</i>	<i>53.77</i>	<i>3226</i>	<i>55.35</i>	<i>3266</i>	<i>56.93</i>	<i>3305</i>	<i>58.53</i>
5600	4516	<i>2935</i>	<i>45.42</i>	<i>2978</i>	<i>46.98</i>	<i>3022</i>	<i>48.55</i>	<i>3064</i>	<i>50.13</i>	<i>3106</i>	<i>51.72</i>	<i>3148</i>	<i>53.31</i>	<i>3188</i>	<i>54.91</i>	<i>3229</i>	<i>56.52</i>	<i>3268</i>	<i>58.13</i>	<i>3308</i>	<i>59.76</i>
5750	4637	<i>2940</i>	<i>46.59</i>	<i>2982</i>	<i>48.03</i>	<i>3025</i>	<i>49.59</i>	<i>3067</i>	<i>51.19</i>	<i>3109</i>	<i>52.81</i>	<i>3150</i>	<i>54.43</i>	<i>3191</i>	<i>56.06</i>	<i>3231</i>	<i>57.70</i>	<i>3271</i>	<i>59.34</i>	<i>3311</i>	<i>60.99</i>
5900	4758	<i>2947</i>	<i>47.84</i>	<i>2988</i>	<i>49.31</i>	<i>3029</i>	<i>50.79</i>	<i>3070</i>	<i>52.27</i>	<i>3112</i>	<i>53.90</i>	<i>3153</i>	<i>55.55</i>	<i>3194</i>	<i>57.21</i>	<i>3234</i>	<i>58.88</i>	<i>3274</i>	<i>60.55</i>	<i>3313</i>	<i>62.23</i>
6050	4879	<i>2953</i>	<i>49.09</i>	<i>2995</i>	<i>50.60</i>	<i>3036</i>	<i>52.11</i>	<i>3076</i>	<i>53.62</i>	<i>3116</i>	<i>55.14</i>	<i>3156</i>	<i>56.68</i>	<i>3197</i>	<i>58.37</i>	<i>3237</i>	<i>60.06</i>	<i>3277</i>	<i>61.76</i>	<i>3316</i>	<i>63.47</i>
6200	5000	<i>2959</i>	<i>50.35</i>	<i>3001</i>	<i>51.90</i>	<i>3042</i>	<i>53.44</i>	<i>3083</i>	<i>54.99</i>	<i>3123</i>	<i>56.54</i>	<i>3162</i>	<i>58.09</i>	<i>3201</i>	<i>59.64</i>	<i>3240</i>	<i>61.25</i>	<i>3280</i>	<i>62.98</i>	<i>3319</i>	<i>64.71</i>
6350	5120	<i>2966</i>	<i>51.63</i>	<i>3008</i>	<i>53.20</i>	<i>3049</i>	<i>54.78</i>	<i>3089</i>	<i>56.36</i>	<i>3129</i>	<i>57.94</i>	<i>3169</i>	<i>59.53</i>	<i>3208</i>	<i>61.12</i>	<i>3246</i>	<i>62.71</i>	<i>3284</i>	<i>64.30</i>	<i>3322</i>	<i>65.96</i>
6500	5241	<i>2974</i>	<i>52.90</i>	<i>3014</i>	<i>54.52</i>	<i>3055</i>	<i>56.13</i>	<i>3096</i>	<i>57.75</i>	<i>3136</i>	<i>59.36</i>	<i>3175</i>	<i>60.98</i>	<i>3214</i>	<i>62.60</i>	<i>3252</i>	<i>64.22</i>	<i>3290</i>	<i>65.85</i>	<i>3328</i>	<i>67.48</i>
6650	5362	<i>2983</i>	<i>54.17</i>	<i>3023</i>	<i>55.82</i>	<i>3063</i>	<i>57.48</i>	<i>3102</i>	<i>59.14</i>	<i>3142</i>	<i>60.79</i>	<i>3181</i>	<i>62.44</i>	<i>3220</i>	<i>64.10</i>	<i>3259</i>	<i>65.75</i>	<i>3297</i>	<i>67.41</i>	<i>3334</i>	<i>69.07</i>
6800	5483	<i>2992</i>	<i>55.46</i>	<i>3032</i>	<i>57.14</i>	<i>307</i>															

RBE - 17 BELT DRIVE RATING TABLES Ratings at 70°F., .075 Density, Sea Level

WHEEL
Dia. - 29 5/8"

OUTLET O.D.
Size - 16 1/4" X 14 3/8"
Area - 1.59 Sq. Ft.

INLET O.D.
Size - 17"
Area - 1.57 Sq. Ft.

Series 18 = light face above Series 25
Series 25 = bold face
Series 32 = italic face below Series 25

NOTE: See pages 23, 25 or 26 for minimum motor frame sizes regardless of BHP.

SEE PAGE 22 FOR MAX. WHEEL RPM AND WR².

VOL. CFM	O.V. FPM	2" SP		4" SP		6" SP		8" SP		10" SP		12" SP		13" SP		14" SP		15" SP		16" SP	
		RPM	BHP	RPM	BHP	RPM	BHP	RPM	BHP	RPM	BHP	RPM	BHP	RPM	BHP	RPM	BHP	RPM	BHP	RPM	BHP
2700	1698	682	1.42	919	2.74	1115	4.24														
3000	1886	701	1.64	929	3.05	1119	4.60	1286	6.34												
3300	2075	719	1.88	941	3.38	1126	5.02	1290	6.81	1437	8.75										
3600	2264	739	2.15	953	3.72	1135	5.49	1294	7.30	1441	9.34	1574	11.46								
3900	2452	759	2.44	970	4.13	1147	5.98	1302	7.91	1445	9.95	1578	12.18	1641	13.32	1701	14.48	1759	15.65		
4200	2641	782	2.78	988	4.57	1159	6.48	1312	8.55	1451	10.64	1582	12.90	1644	14.10	1704	15.31	1762	16.54	1818	17.79
4500	2830	805	3.14	1007	5.05	1171	7.00	1324	9.19	1460	11.43	1587	13.67	1648	14.88	1708	16.15	1766	17.44	1822	18.74
4800	3018	829	3.53	1026	5.55	1189	7.63	1336	9.86	1471	12.22	1596	14.61	1655	15.80	1712	17.00	1770	18.34	1826	19.70
5100	3207	853	3.96	1045	6.09	1208	8.30	1349	10.55	1483	13.04	1605	15.56	1664	16.83	1721	18.10	1776	19.37	1830	20.67
5400	3396	878	4.43	1065	6.66	1226	9.00	1365	11.34	1496	13.88	1617	16.53	1675	17.87	1730	19.21	1785	20.55	1838	21.89
5700	3584	904	4.95	1088	7.31	1245	9.74	1383	12.21	1508	14.74	1630	17.51	1687	18.92	1742	20.33	1795	21.74	1847	23.16
6000	3773	930	5.51	1111	7.99	1264	10.52	1401	13.12	1523	15.71	1642	18.53	1699	19.99	1754	21.47	1807	22.95	1858	24.43
6300	3962	957	6.12	1134	8.72	1283	11.33	1420	14.07	1542	16.79	1654	19.57	1711	21.10	1766	22.63	1819	24.17	1870	25.73
6600	4150	984	6.77	1157	9.49	1304	12.20	1439	15.06	1560	17.92	1670	20.77	1723	22.23	1778	23.83	1831	25.43	1882	27.05
6900	4339	1012	7.47	1181	10.30	1326	13.16	1458	16.09	1579	19.09	1689	22.07	1741	23.56	1791	25.05	1843	26.72	1895	28.40
7200	4528	1040	8.22	1205	11.17	1349	14.17	1477	17.17	1597	20.30	1707	23.42	1759	24.97	1809	26.53	1857	28.08	1907	29.78
7500	4716	1068	9.03	1229	12.08	1372	15.22	1497	18.29	1616	21.56	1726	24.81	1777	26.44	1827	28.06	1875	29.67	1922	31.29
7800	4905	1098	9.91	1255	13.09	1395	16.33	1519	19.54	1636	22.87	1744	26.26	1796	27.95	1845	29.63	1893	31.32	1940 33.00	
8100	5094	1128	10.85	1282	14.15	1419	17.50	1542	20.84	1655	24.22	1763	27.75	1815	29.51	1864	31.26	1912	33.02	1958 34.77	
8400	5283	1158	11.85	1308	15.27	1442	18.72	1564	22.21	1674	25.63	1782	29.30	1833	31.12	1883	32.95	1930	34.77	1977 36.58	
8700	5471	1188	12.92	1335	16.45	1466	19.99	1587	23.63	1697	27.19	1802	30.89	1852	32.79	1902	34.68	1949 36.57	1995 38.46		
9000	5660	1219	14.05	1362	17.70	1490	21.33	1611	25.11	1719	28.82	1821	32.55	1872	34.51	1921	36.47	1968 38.43	2014 40.38		
9300	5849	1250	15.26	1389	19.01	1516	22.76	1634	26.66	1742	30.51	1841	34.30	1891	36.29	1940 38.32	1987 40.35	2033 42.37			
9600	6037	1281	16.53	1416	20.39	1542	24.29	1658	28.27	1765	32.26	1864	36.19	1911	38.14	1959 40.23	2006 42.32	2052 44.42			
9900	6226	1312	17.87	1444	21.83	1568	25.88	1681	29.94	1788	34.08	1886	38.15	1933	40.17	1978 42.19	2025 44.36	2071 46.52			
10200	6415	1343	19.30	1472	23.35	1594	27.55	1705	31.69	1812	35.97	1909	40.19	1956 42.27	2001 44.35	2045 46.45	2090 48.69				
10500	6603	1375	20.80	1500	24.95	1621	29.29	1730	33.50	1835	37.93	1932	42.29	1978 44.45	2023 46.59	2066 48.73	2109 50.91				
10800	6792	1407	22.37	1529	26.66	1648	31.11	1755	35.45	1859	39.96	1955 44.47	2001 46.70	2046 48.91	2089 51.12	2131 53.31					
11100	6981	1438	24.04	1559	28.46	1675	33.00	1781	37.49	1882	42.07	1979 46.72	2024 49.02	2069 51.31	2112 53.58	2153 55.85					

VOL. CFM	O.V. FPM	17" SP		18" SP		19" SP		20" SP		21" SP		22" SP		23" SP		24" SP		25" SP		26" SP	
		RPM	BHP	RPM	BHP	RPM	BHP	RPM	BHP	RPM	BHP	RPM	BHP	RPM	BHP	RPM	BHP	RPM	BHP	RPM	BHP
4200	2641	1873	19.05																		
4450	2798	1876	19.89			1980 22.54															
4700	2955	1879	20.73	1929	21.21	1983 23.48	2033 24.88	2082 26.28	2129 27.70												
4950	3113	1882	21.58	1932	22.10	1986 24.43	2036 25.87	2085 27.32	2133 28.79	2179 30.27	2225 31.76										
5200	3270	1885	22.44	1938 23.90	1989 25.38	2039 26.86	2088 28.36	2136 29.88	2182 31.40	2228 32.94	2272 34.49	2316 36.06									
5450	3427	1891	23.46	1942 24.82	1993 26.33	2043 27.87	2091 29.42	2139 30.98	2185 32.55	2231 34.13	2276 35.73	2319 37.34									
5700	3584	1899	24.58	1949 25.99	1998 27.42	2046 28.88	2095 30.47	2142 32.08	2189 33.70	2234 35.33	2279 36.98	2322 38.63									
5950	3742	1906	25.70	1956 27.18	2005 28.66	2053 30.14	2099 31.63	2145 33.19	2192 34.86	2237 36.53	2282 38.23	2326 39.93									
6200	3899	1916	26.83	1964 28.38	2013 29.91	2060 31.45	2106 32.99	2152 34.54	2196 36.09	2240 37.75	2285 39.48	2329 41.23									
6450	4056	1926	27.97	1974 29.57	2021 31.17	2068 32.78	2114 34.38	2159 35.98	2203 37.59	2247 39.20	2292 40.81	2336 42.54									
6700	4213	1936 29.14	1984 30.78	2031 32.44	2077 34.10	2122 35.77	2167 37.44	2211 39.10	2254 40.76	2297 42.43	2341 44.10	2384 45.54									
6950	4371	1946 30.32	1995 32.02	2042 33.73	2087 35.45	2132 37.17	2175 38.90	2218 40.63	2261 42.35	2304 44.08	2347 45.80	2390 47.10									
7200	4528	1957 31.53	2005 33.28	2052 35.04	2097 36.81	2142 38.58	2186 40.36	2228 42.15	2270 43.95	2311 45.74	2353 47.52	2395 49.29									
7450	4685	1967 32.75	2015 34.56	2062 36.38	2107 38.19	2152 40.02	2196 41.85	2238 43.69	2280 45.54	2321 47.39	2361 49.25	2402 51.10									
7700	4842	1979 34.09	2025 35.87	2072 37.73	2118 39.60	2162 41.48	2206 43.37	2248 45.26	2289 47.16	2331 49.06	2371 50.97	2411 52.82									
7950	5000	1994 35.59	2038 37.31	2082 39.11	2128 41.04	2172 42.97	2216 44.91	2258 46.85	2300 48.80	2341 50.76	2381 52.72	2421 54.67									
8200	5157	2009 37.14	2053 38.90	2096 40.67	2138 42.50	2183 44.48	2226 46.47	2269 48.47	2310 50.47	2351 52.48	2391 54.49	2431 56.49									
8450	5314	2025 38.72	2068 40.54	2111 42.36	2152 44.19	2193 46.02	2236 48.06	2279 50.11	2320 52.16	2361 54.23	2401 56.29	2441 58.34									
8700	5471	2040 40.34	2084 42.22	2126 44.10	2167 45.97	2208 47.85	2247 49.72	2289 51.78	2331 53.88	2371 55.99	2411 58.12	2451 60.27									
8950	5628	2056 42.00	2099 43.93	2141 45.87	2183 47.80	2223 49.73	2263 51.66	2304 53.59	2345 55.63	2385 57.76	2425 59.89	2465 62.02									
9200	5786	2071 43.70	2115 45.69	2157 47.68	2198 49.67	2238 51.65	2278 53.64	2318 55.62	2358 57.67	2398 59.81	2438 61.95	2478 64.18									
9450	5943	2087 45.44	2130 47.49	2172 49.53	2214 51.58	2254 53.62	2293 55.66 </														



RBE - 17 BELT DRIVE RATING TABLES

Ratings at 70°F., .075 Density, Sea Level

WHEEL

Dia. - 29 5/8"

OUTLET O.D.

Size - 16 1/4" X 14 3/8"
Area - 1.59 Sq. Ft.

INLET O.D.

Size - 17"
Area - 1.57 Sq. Ft.

Series 25 = bold face

Series 32 = italic face below Series 25

Series 40 = tinted ratings below Series 32

(Continued from page 14)

SEE PAGE 22 FOR MAX. WHEEL RPM AND WR².

VOL. CFM	O.V. FPM	22" SP		23" SP		24" SP		25" SP		26" SP		27" SP		28" SP		29" SP		30" SP		31" SP	
		RPM	BHP	RPM	BHP	RPM	BHP	RPM	BHP	RPM	BHP	RPM	BHP	RPM	BHP	RPM	BHP	RPM	BHP	RPM	BHP
4700	2955	2129	27.70																		
4950	3113	2133	28.79	2179	30.27	2225	31.76														
5200	3270	2136	29.88	2182	31.40	2228	32.94	2272	34.49	2316	36.06	2359	37.63								
5450	3427	2139	30.98	2185	32.55	2231	34.13	2276	35.73	2319	37.34	2362	38.96	<i>2404</i>	<i>40.59</i>	<i>2446</i>	<i>42.23</i>				
5700	3584	2142	32.08	2189	33.70	2234	35.33	2279	36.98	2322	38.63	2365	40.30	<i>2407</i>	<i>41.98</i>	<i>2449</i>	<i>43.67</i>	<i>2489</i>	<i>45.37</i>	<i>2529</i>	<i>47.08</i>
5950	3742	2145	33.19	2192	34.86	2237	36.53	2282	38.23	2326	39.93	<i>2368</i>	<i>41.64</i>	<i>2411</i>	<i>43.37</i>	<i>2452</i>	<i>45.10</i>	<i>2492</i>	<i>46.85</i>	<i>2532</i>	<i>48.61</i>
6200	3899	2152	34.54	2196	36.09	2240	37.75	2285	39.48	2329	41.23	<i>2372</i>	<i>42.99</i>	<i>2414</i>	<i>44.76</i>	<i>2455</i>	<i>46.55</i>	<i>2496</i>	<i>48.34</i>	<i>2536</i>	<i>50.15</i>
6450	4056	2159	35.98	2203	37.59	2247	39.20	2289	40.81	2332	42.54	<i>2375</i>	<i>44.35</i>	<i>2417</i>	<i>46.17</i>	<i>2458</i>	<i>48.00</i>	<i>2499</i>	<i>49.84</i>	<i>2539</i>	<i>51.69</i>
6700	4213	2167	37.44	2211	39.10	2254	40.76	2296	42.43	2338	44.10	<i>2379</i>	<i>45.78</i>	<i>2420</i>	<i>47.58</i>	<i>2461</i>	<i>49.46</i>	<i>2502</i>	<i>51.35</i>	<i>2542</i>	<i>53.25</i>
6950	4371	2175	38.90	2218	40.63	2261	42.35	2304	44.08	2345	45.80	<i>2386</i>	<i>47.53</i>	<i>2426</i>	<i>49.27</i>	<i>2465</i>	<i>51.01</i>	<i>2505</i>	<i>52.86</i>	<i>2545</i>	<i>54.81</i>
7200	4528	2186	40.36	2228	42.15	2270	43.95	2311	45.74	2353	47.52	<i>2394</i>	<i>49.31</i>	<i>2434</i>	<i>51.10</i>	<i>2473</i>	<i>52.89</i>	<i>2511</i>	<i>54.69</i>	<i>2549</i>	<i>56.49</i>
7450	4685	2196	41.85	2238	43.69	2280	45.54	2321	47.39	2361	49.25	<i>2401</i>	<i>51.10</i>	<i>2441</i>	<i>52.95</i>	<i>2480</i>	<i>54.79</i>	<i>2519</i>	<i>56.65</i>	<i>2557</i>	<i>58.50</i>
7700	4842	2206	43.37	2248	45.26	2290	47.16	2331	49.06	<i>2371</i>	<i>50.97</i>	<i>2410</i>	<i>52.89</i>	<i>2449</i>	<i>54.81</i>	<i>2488</i>	<i>56.72</i>	<i>2526</i>	<i>58.63</i>	<i>2564</i>	<i>60.54</i>
7950	5000	2216	44.91	2258	46.85	2300	48.80	<i>2341</i>	<i>50.76</i>	<i>2381</i>	<i>52.72</i>	<i>2420</i>	<i>54.69</i>	<i>2459</i>	<i>56.66</i>	<i>2497</i>	<i>58.64</i>	<i>2534</i>	<i>60.63</i>	<i>2572</i>	<i>62.60</i>
8200	5157	2226	46.47	2269	48.47	2310	50.47	<i>2351</i>	<i>52.48</i>	<i>2391</i>	<i>54.49</i>	<i>2430</i>	<i>56.51</i>	<i>2469</i>	<i>58.54</i>	<i>2507</i>	<i>60.57</i>	<i>2544</i>	<i>62.61</i>	<i>2580</i>	<i>64.65</i>
8450	5314	2236	48.06	2279	50.11	2320	52.16	<i>2361</i>	<i>54.23</i>	<i>2401</i>	<i>56.29</i>	<i>2440</i>	<i>58.36</i>	<i>2479</i>	<i>60.44</i>	<i>2517</i>	<i>62.53</i>	<i>2554</i>	<i>64.61</i>	<i>2590</i>	<i>66.71</i>
8700	5471	2247	49.72	2289	51.78	2331	53.88	<i>2371</i>	<i>56.00</i>	<i>2411</i>	<i>58.12</i>	<i>2450</i>	<i>60.24</i>	<i>2489</i>	<i>62.37</i>	<i>2527</i>	<i>64.51</i>	<i>2564</i>	<i>66.65</i>	<i>2600</i>	<i>68.80</i>
8950	5628	<i>2263</i>	<i>51.66</i>	<i>2301</i>	<i>53.59</i>	<i>2341</i>	<i>55.63</i>	<i>2382</i>	<i>57.80</i>	<i>2421</i>	<i>59.97</i>	<i>2461</i>	<i>62.15</i>	<i>2499</i>	<i>64.33</i>	<i>2537</i>	<i>66.52</i>	<i>2574</i>	<i>68.71</i>	<i>2611</i>	<i>70.91</i>
9200	5786	<i>2278</i>	<i>53.64</i>	<i>2316</i>	<i>55.62</i>	<i>2354</i>	<i>57.61</i>	<i>2392</i>	<i>59.63</i>	<i>2432</i>	<i>61.85</i>	<i>2471</i>	<i>64.08</i>	<i>2509</i>	<i>66.32</i>	<i>2547</i>	<i>68.56</i>	<i>2584</i>	<i>70.80</i>	<i>2621</i>	<i>73.06</i>
9450	5943	<i>2293</i>	<i>55.66</i>	<i>2332</i>	<i>57.70</i>	<i>2369</i>	<i>59.74</i>	<i>2406</i>	<i>61.78</i>	<i>2443</i>	<i>63.81</i>	<i>2481</i>	<i>66.04</i>	<i>2520</i>	<i>68.33</i>	<i>2557</i>	<i>70.63</i>	<i>2594</i>	<i>72.92</i>	<i>2631</i>	<i>75.23</i>
9700	6100	<i>2309</i>	<i>57.72</i>	<i>2347</i>	<i>59.82</i>	<i>2385</i>	<i>61.91</i>	<i>2422</i>	<i>64.01</i>	<i>2458</i>	<i>66.10</i>	<i>2494</i>	<i>68.19</i>	<i>2530</i>	<i>70.37</i>	<i>2568</i>	<i>72.72</i>	<i>2605</i>	<i>75.07</i>	<i>2641</i>	<i>77.43</i>
9950	6257	<i>2324</i>	<i>59.83</i>	<i>2362</i>	<i>61.98</i>	<i>2400</i>	<i>64.13</i>	<i>2437</i>	<i>66.28</i>	<i>2473</i>	<i>68.43</i>	<i>2509</i>	<i>70.57</i>	<i>2544</i>	<i>72.72</i>	<i>2578</i>	<i>74.86</i>	<i>2615</i>	<i>77.25</i>	<i>2651</i>	<i>79.66</i>
10200	6415	<i>2339</i>	<i>61.99</i>	<i>2378</i>	<i>64.19</i>	<i>2415</i>	<i>66.40</i>	<i>2452</i>	<i>68.60</i>	<i>2488</i>	<i>70.80</i>	<i>2524</i>	<i>73.01</i>	<i>2559</i>	<i>75.21</i>	<i>2593</i>	<i>77.40</i>	<i>2627</i>	<i>79.60</i>	<i>2662</i>	<i>81.92</i>
10450	6572	<i>2355</i>	<i>64.19</i>	<i>2393</i>	<i>66.45</i>	<i>2431</i>	<i>68.71</i>	<i>2468</i>	<i>70.97</i>	<i>2504</i>	<i>73.23</i>	<i>2539</i>	<i>75.48</i>	<i>2574</i>	<i>77.74</i>	<i>2608</i>	<i>79.99</i>	<i>2642</i>	<i>82.25</i>	<i>2675</i>	<i>84.50</i>
10700	6729	<i>2371</i>	<i>66.44</i>	<i>2409</i>	<i>68.76</i>	<i>2446</i>	<i>71.07</i>	<i>2483</i>	<i>73.39</i>	<i>2519</i>	<i>75.70</i>	<i>2555</i>	<i>78.01</i>	<i>2589</i>	<i>80.32</i>	<i>2624</i>	<i>82.63</i>	<i>2657</i>	<i>84.94</i>	<i>2690</i>	<i>87.25</i>
10950	6886	<i>2387</i>	<i>68.73</i>	<i>2425</i>	<i>71.11</i>	<i>2462</i>	<i>73.48</i>	<i>2499</i>	<i>75.85</i>	<i>2535</i>	<i>78.22</i>	<i>2570</i>	<i>80.59</i>	<i>2605</i>	<i>82.96</i>	<i>2639</i>	<i>85.32</i>	<i>2673</i>	<i>87.68</i>	<i>2706</i>	<i>90.05</i>

VOL. CFM	O.V. FPM	32" SP		33" SP		34" SP		35" SP		36" SP		37" SP		38" SP		39" SP		40" SP		41" SP	
		RPM	BHP	RPM	BHP	RPM	BHP	RPM	BHP	RPM	BHP	RPM	BHP	RPM	BHP	RPM	BHP	RPM	BHP	RPM	BHP
5700	3584	<i>2569</i>	<i>48.80</i>	<i>2610</i>	<i>51.83</i>	<i>2648</i>	<i>53.61</i>														
5900	3710	<i>2571</i>	<i>50.06</i>	<i>2612</i>	<i>53.13</i>	<i>2650</i>	<i>54.95</i>	<i>2688</i>	<i>56.78</i>	<i>2725</i>	<i>58.61</i>	<i>2762</i>	<i>60.46</i>								
6100	3836	<i>2574</i>	<i>51.32</i>	<i>2612</i>	<i>53.13</i>	<i>2650</i>	<i>54.95</i>	<i>2688</i>	<i>56.78</i>	<i>2725</i>	<i>58.61</i>	<i>2762</i>	<i>60.46</i>								
6300	3962	<i>2576</i>	<i>52.60</i>	<i>2615</i>	<i>54.44</i>	<i>2653</i>	<i>56.29</i>	<i>2691</i>	<i>58.16</i>	<i>2728</i>	<i>60.03</i>	<i>2764</i>	<i>61.92</i>	<i>2800</i>	<i>63.81</i>	<i>2836</i>	<i>65.71</i>				
6500	4088	<i>2579</i>	<i>53.87</i>	<i>2617</i>	<i>55.75</i>	<i>2656</i>	<i>57.64</i>	<i>2693</i>	<i>59.55</i>	<i>2730</i>	<i>61.46</i>	<i>2767</i>	<i>63.38</i>	<i>2803</i>	<i>65.31</i>	<i>2838</i>	<i>67.25</i>	<i>2873</i>	<i>69.20</i>	<i>2908</i>	<i>71.16</i>
6700	4213	<i>2581</i>	<i>55.15</i>	<i>2620</i>	<i>57.07</i>	<i>2658</i>	<i>59.00</i>	<i>2696</i>	<i>60.94</i>	<i>2733</i>	<i>62.89</i>	<i>2770</i>	<i>64.85</i>	<i>2805</i>	<i>66.81</i>	<i>2841</i>	<i>68.79</i>	<i>2876</i>	<i>70.78</i>	<i>2911</i>	<i>72.78</i>
6900	4339	<i>2584</i>	<i>56.44</i>	<i>2622</i>	<i>58.40</i>	<i>2661</i>	<i>60.36</i>	<i>2698</i>	<i>62.34</i>	<i>2735</i>	<i>64.32</i>	<i>2772</i>	<i>66.32</i>	<i>2808</i>	<i>68.32</i>	<i>2843</i>	<i>70.34</i>	<i>2878</i>	<i>72.36</i>	<i>2913</i>	<i>74.40</i>
7100	4465	<i>2586</i>	<i>57.73</i>	<i>2625</i>	<i>59.72</i>	<i>2663</i>	<i>61.73</i>	<i>2701</i>	<i>63.74</i>	<i>2738</i>	<i>65.76</i>	<i>2774</i>	<i>67.80</i>	<i>2810</i>	<i>69.84</i>	<i>2846</i>	<i>71.89</i>	<i>2881</i>	<i>73.95</i>	<i>2916</i>	<i>76.03</i>
7300	4591	<i>2590</i>	<i>59.12</i>	<i>2628</i>	<i>61.06</i>	<i>2666</i>	<i>63.10</i>	<i>2703</i>	<i>65.15</i>	<i>2740</i>	<i>67.21</i>	<i>2777</i>	<i>69.28</i>	<i>2813</i>	<i>71.36</i>	<i>2848</i>	<i>73.45</i>	<i>2884</i>	<i>75.55</i>	<i>2918</i>	<i>77.66</i>
7500	4716	<i>2596</i>	<i>60.78</i>	<i>2632</i>	<i>62.65</i>	<i>2669</i>	<i>64.53</i>	<i>2706</i>	<i>66.56</i>	<i>2743</i>	<i>68.66</i>	<i>2779</i>	<i>70.77</i>	<i>2815</i>	<i>72.89</i>	<i>2851</i>	<i>75.02</i>	<i>2886</i>	<i>77.15</i>	<i>2921</i>	<i>79.30</i>
7700	4842	<i>2602</i>	<i>62.45</i>	<i>2638</i>	<i>64.37</i>	<i>2675</i>	<i>66.29</i>	<i>2710</i>	<i>68.22</i>	<i>2746</i>	<i>70.15</i>	<i>2782</i>	<i>72.27</i>	<i>2818</i>	<i>74.42</i>	<i>2853</i>	<i>76.58</i>	<i>2889</i>	<i>78.76</i>	<i>2923</i>	<i>80.94</i>
7900	4968	<i>2608</i>	<i>64.14</</i>																		

RBE - 19 BELT DRIVE RATING TABLES Ratings at 70°F., .075 Density, Sea Level

WHEEL
Dia. - 33"

OUTLET O.D.
Size - 18 3/4" X 15 7/8"
Area - 1.97 Sq. Ft.

INLET O.D.
Size - 19"
Area - 1.96 Sq. Ft.

Series 18 = light face above Series 25
Series 25 = bold face
 Series 32 = italic face below Series 25

NOTE: See pages 23, 25 or 26 for minimum motor frame sizes regardless of BHP.

SEE PAGE 22 FOR MAX. WHEEL RPM AND WR².

VOL. CFM	O.V. FPM	2" SP		4" SP		6" SP		8" SP		10" SP		12" SP		13" SP		14" SP		15" SP		16" SP	
		RPM	BHP	RPM	BHP	RPM	BHP	RPM	BHP	RPM	BHP	RPM	BHP	RPM	BHP	RPM	BHP	RPM	BHP	RPM	BHP
2500	1269	584	1.27																		
2900	1472	596	1.49	810	2.96																
3300	1675	611	1.73	819	3.35	990	5.13														
3700	1878	627	2.00	830	3.78	994	5.63	1143	7.71												
4100	2081	644	2.30	842	4.22	1005	6.24	1146	8.37	1277	10.71										
4500	2284	661	2.64	858	4.70	1016	6.88	1154	9.13	1280	11.52	1399	14.10								
4900	2487	682	3.03	874	5.20	1028	7.55	1165	9.96	1287	12.42	1402	15.08	1458	16.47	1511	17.87				
5300	2690	703	3.45	890	5.74	1042	8.25	1176	10.82	1298	13.45	1407	16.13	1461	17.53	1514	19.02	1566	20.52	1616	22.04
5700	2893	724	3.91	907	6.35	1058	8.98	1188	11.72	1309	14.52	1419	17.36	1470	18.79	1520	20.24	1569	21.75	1619	23.35
6100	3096	746	4.41	924	7.01	1074	9.75	1203	12.65	1320	15.61	1430	18.62	1481	20.14	1531	21.66	1578	23.20	1625	24.75
6500	3299	770	4.99	942	7.72	1090	10.56	1219	13.63	1332	16.74	1441	19.92	1492	21.52	1542	23.13	1590	24.75	1636	26.38
6900	3502	796	5.63	963	8.50	1107	11.47	1234	14.64	1348	17.92	1452	21.25	1504	22.94	1553	24.63	1601	26.34	1647	28.05
7300	3705	821	6.33	984	9.33	1124	12.45	1250	15.70	1364	19.14	1467	22.63	1515	24.40	1564	26.18	1612	27.97	1658	29.77
7700	3908	847	7.09	1005	10.21	1141	13.47	1267	16.83	1380	20.42	1482	24.07	1530	25.91	1577	27.76	1623	29.64	1669	31.52
8100	4111	874	7.91	1026	11.15	1161	14.58	1284	18.09	1396	21.74	1498	25.55	1546	27.48	1592	29.41	1637	31.36	1681	33.32
8500	4314	900	8.80	1048	12.15	1182	15.76	1301	19.40	1412	23.11	1514	27.09	1562	29.10	1608	31.12	1653	33.14	1696	35.18
8900	4517	928	9.77	1071	13.23	1203	17.00	1318	20.76	1429	24.66	1530	28.68	1578	30.77	1624	32.87	1669	34.98	1712	37.10
9300	4720	956	10.84	1096	14.44	1224	18.32	1338	22.24	1446	26.27	1546	30.33	1594	32.50	1640	34.69	1684	36.88	1728	39.08
9700	4923	985	11.99	1121	15.73	1245	19.70	1359	23.80	1463	27.94	1563	32.18	1610	34.29	1656	36.56	1700	38.83	1743	41.12
10100	5126	1014	13.23	1147	17.10	1267	21.14	1379	25.43	1480	29.68	1580	34.10	1627	36.30	1672	38.50	1716	40.85	1759	43.21
10500	5329	1043	14.56	1173	18.55	1289	22.66	1400	27.14	1501	31.57	1597	36.08	1644	38.38	1689	40.67	1733	42.96	1775	45.38
10900	5532	1073	15.97	1199	20.09	1312	24.30	1422	28.93	1522	33.54	1614	38.14	1661	40.53	1706	42.91	1750	45.29	1792	47.67
11300	5736	1102	17.48	1225	21.71	1337	26.11	1443	30.79	1543	35.59	1634	40.34	1678	42.75	1723	45.23	1767	47.70	1809	50.17
11700	5939	1132	19.09	1252	23.43	1362	28.01	1465	32.74	1564	37.72	1654	42.65	1697	45.11	1741	47.62	1784	50.18	1826	52.74
12100	6142	1162	20.81	1279	25.25	1387	30.01	1487	34.77	1585	39.94	1675	45.05	1718	47.60	1759	50.14	1801	52.74	1843	55.39
12500	6345	1192	22.62	1306	27.19	1413	32.11	1509	36.92	1606	42.24	1696	47.55	1739	50.18	1780	52.81	1820	55.43	1860	58.12
12900	6548	1223	24.54	1334	29.29	1439	34.31	1534	39.29	1628	44.64	1717	50.13	1760	52.86	1801	55.57	1840	58.28	1879	60.99
13300	6751	1253	26.58	1363	31.50	1465	36.61	1559	41.78	1650	47.13	1739	52.81	1781	55.63	1822	58.44	1861	61.24	1900	64.03
13700	6954	1284	28.74	1392	33.82	1491	39.02	1585	44.38	1671	49.71	1760	55.58	1802	58.49	1843	61.40	1882	64.29	1920	67.17

VOL. CFM	O.V. FPM	17" SP		18" SP		19" SP		20" SP		21" SP		22" SP		23" SP		24" SP		25" SP		26" SP	
		RPM	BHP	RPM	BHP	RPM	BHP	RPM	BHP	RPM	BHP	RPM	BHP	RPM	BHP	RPM	BHP	RPM	BHP	RPM	BHP
5300	2690	1665	23.57																		
5600	2842	1667	24.61	1714	26.22	1760	27.84														
5900	2994	1669	25.66	1716	27.32	1762	29.00	1807	30.70	1850	32.41										
6200	3147	1672	26.73	1719	28.43	1765	30.17	1809	31.92	1853	33.69	1895	35.47	1937	37.26						
6500	3299	1681	28.02	1724	29.67	1767	31.35	1811	33.16	1855	34.98	1897	36.82	1939	38.67	1980	40.53	2019	42.41		
6800	3451	1689	29.33	1732	31.04	1775	32.76	1816	34.49	1857	36.28	1900	38.17	1941	40.08	1982	42.00	2022	43.94	2061	45.89
7100	3604	1697	30.67	1741	32.44	1783	34.22	1824	36.01	1864	37.81	1904	39.61	1944	41.50	1984	43.48	2024	45.48	2063	47.48
7400	3756	1706	32.03	1749	33.86	1791	35.71	1832	37.56	1873	39.42	1912	41.28	1950	43.16	1988	45.04	2026	47.02	2065	49.08
7700	3908	1714	33.41	1757	35.31	1800	37.22	1841	39.13	1881	41.05	1920	42.98	1959	44.92	1996	46.86	2033	48.81	2069	50.77
8000	4060	1723	34.82	1766	36.78	1808	38.75	1849	40.73	1889	42.71	1929	44.70	1967	46.70	2004	48.71	2041	50.72	2077	52.74
8300	4213	1731	36.25	1774	38.28	1817	40.31	1858	42.35	1898	44.40	1937	46.45	1975	48.51	2013	50.58	2050	52.66	2086	54.74
8600	4365	1742	37.72	1783	39.80	1825	41.90	1866	44.00	1906	46.11	1944	48.23	1984	50.36	2021	52.49	2058	54.63	2094	56.77
8900	4517	1754	39.23	1795	41.36	1834	43.51	1875	45.68	1915	47.85	1954	50.04	1992	52.22	2030	54.42	2066	56.62	2102	58.83
9200	4670	1766	40.77	1806	42.96	1846	45.17	1885	47.39	1923	49.62	1962	51.87	2001	54.12	2038	56.38	2075	58.65	2111	60.92
9500	4822	1777	42.34	1818	44.60	1858	46.87	1896	49.14	1934	51.43	1971	53.73	2009	56.05	2047	58.37	2083	60.70	2119	63.03
9800	4974	1789	43.95	1830	46.27	1869	48.60	1908	50.93	1946	53.28	1982	55.64	2018	58.00	2055	60.39	2092	62.78	2128	65.18
10100	5126	1801	45.59	1842	47.97	1881	50.36	1920	52.76	1957	55.17	1994	57.59	2030	60.01	2065	62.45	2100	64.89	2136	67.36
10400	5279	1813	47.27	1854	49.71	1893	52.17	1932	54.63	1969	57.10	2006	59.57	2042	62.06	2077	64.55	2111	67.06	2145	69.57
10700	5431	1825	48.98	1866	51.49	1905	54.00	1943	56.53	1981	59.06	2018	61.60	2054	64.14	2089	66.70	2123	69.26	2157	71.83
11000	5583	1837	50.73	1878	53.30	1917	55.88	1955	58.47	1993	61.06	2029	63.66	2065	66.27	2100	68.89	2135	71.51	2169	74.14
11300	5736	1850	52.63	1890	55.16	1929	57.80	1967	60.45	2005	63.10	2041	65.76	2077	68.43	2112	71.11	2147	73.80	2180	76.49
11600	5888	1862	54.62	1902	57.15	1941	59.75	1979	62.46	2017	65.18	2053	67.91	2089	70.64	2124	73.38	2158	76.13	2192	78.88
11900	6040	1875	56.66	1915	59.25	1954	61.84	1992	64.52	2029	67.30	2065	70.09	2101	72.89	2136	75.69	2170	78.50	2204	81.31
12200	6192	1888	58.74	1928	61.40	1966	64.06	2004	66.72	2041	69.47	2077	72.32	2113	75.18	2148	78.04	2182	80.91	2216	83.79
12500	6345	1901	60.86	1941	63.60	1979	66.33	2017	69.05	2053	71.78	2090	74.58	2125	77.51	2160	80.43	2194	83.37	2228	86.31
12800	6497	1914	63.04	1953	65.84	1992	68.64	2029	71.44	2066	74.23	2102	77.01	2137	79.88	2172	82.87	2206	85.87	2240	88.87
13100	6649	1927	65.25	1966	68.13	2005	71														



RBE - 19 BELT DRIVE RATING TABLES

Ratings at 70°F., .075 Density, Sea Level

WHEEL

Dia. - 33"

OUTLET O.D.

Size - 18 3/4" X 15 7/8"
Area - 1.97 Sq. Ft.

INLET O.D.

Size - 19"
Area - 1.96 Sq. Ft.

Series 25 = bold face

Series 32 = italic face below Series 25

Series 40 = tinted ratings below Series 32

(Continued from page 16)

SEE PAGE 22 FOR MAX. WHEEL RPM AND WR².

VOL. CFM	O.V. FPM	22" SP		23" SP		24" SP		25" SP		26" SP		27" SP		28" SP		29" SP		30" SP		31" SP	
		RPM	BHP	RPM	BHP	RPM	BHP	RPM	BHP	RPM	BHP	RPM	BHP	RPM	BHP	RPM	BHP	RPM	BHP	RPM	BHP
6750	3426	1899	37.95	1941	39.85	1982	41.76	2021	43.68	2060	45.62	2099	47.57	2138	50.96	2175	52.98				
7000	3553	1901	39.08	1943	41.03	1983	42.99	2023	44.96	2062	46.95	2101	48.95	2140	52.39	2177	54.46	2213	56.54	2249	58.63
7250	3680	1908	40.44	1946	42.29	1985	44.23	2025	46.25	2064	48.28	2102	50.33	2142	53.82	2179	55.94	2215	58.07	2251	60.22
7500	3807	1915	41.85	1953	43.74	1991	45.64	2027	47.55	2066	49.62	2104	51.72	2144	55.26	2181	57.43	2217	59.61	2253	61.80
7750	3934	1922	43.26	1960	45.21	1997	47.17	2034	49.13	2070	51.10	2106	53.11	2147	56.81	2183	58.93	2219	61.15	2255	63.39
8000	4060	1929	44.70	1967	46.70	2004	48.71	2041	50.72	2077	52.74	2113	54.77	2154	58.57	2188	60.67	2222	62.77	2256	64.99
8250	4187	1936	46.16	1974	48.21	2011	50.27	2048	52.33	2084	54.41	2119	56.49	2161	60.36	2195	62.51	2229	64.66	2262	66.82
8500	4314	1943	47.64	1981	49.74	2018	51.85	2055	53.97	2091	56.09	2126	58.22	2168	62.17	2202	64.37	2236	66.57	2269	68.78
8750	4441	1950	49.13	1988	51.29	2025	53.45	2062	55.62	2098	57.80	2133	59.98	2175	64.00	2209	66.25	2243	68.51	2276	70.77
9000	4568	1957	50.64	1995	52.85	2032	55.07	2069	57.29	2105	59.52	2140	61.76	2182	65.85	2216	68.15	2250	70.46	2282	72.77
9250	4695	1964	52.18	2002	54.44	2040	56.71	2076	58.98	2112	61.27	2147	63.56	2189	67.72	2223	70.08	2257	72.44	2289	74.80
9500	4822	1971	53.73	2009	56.05	2047	58.37	2083	60.70	2119	63.03	2154	65.38	2196	69.62	2230	72.02	2264	74.43	2296	76.85
9750	4949	1980	55.32	2016	57.67	2054	60.05	2090	62.43	2126	64.82	2162	67.21	2196	69.62	2230	72.02	2264	74.43	2296	76.85
10000	5076	1990	56.93	2026	59.34	2061	61.75	2097	64.19	2133	66.63	2169	69.08	2203	71.53	2237	73.99	2271	76.46	2303	78.93
10250	5203	2000	58.57	2036	61.03	2071	63.50	2106	65.97	2140	68.46	2176	70.96	2210	73.47	2244	75.98	2278	78.50	2311	81.02
10500	5329	2010	60.24	2046	62.75	2081	65.26	2115	67.79	2149	70.32	2183	72.86	2217	75.42	2251	77.99	2285	80.56	2318	83.14
10750	5456	2020	61.94	2055	64.50	2091	67.06	2125	69.63	2159	72.22	2192	74.81	2225	77.41	2258	80.02	2292	82.65	2325	85.28
11000	5583	2029	63.66	2065	66.27	2100	68.89	2135	71.51	2169	74.14	2202	76.78	2234	79.43	2266	82.09	2299	84.76	2332	87.45
11250	5710	2039	65.41	2075	68.07	2110	70.74	2145	73.41	2178	76.10	2211	78.79	2244	81.49	2276	84.19	2307	86.91	2339	89.63
11500	5837	2049	67.19	2085	69.90	2120	72.62	2154	75.34	2188	78.08	2221	80.82	2254	83.57	2286	86.33	2317	89.09	2348	91.86
11750	5964	2059	68.99	2095	71.76	2130	74.53	2164	77.31	2198	80.09	2231	82.88	2264	85.68	2295	88.49	2327	91.30	2358	94.13
12000	6091	2069	70.83	2105	73.65	2140	76.47	2174	79.30	2208	82.13	2241	84.98	2273	87.83	2305	90.68	2337	93.55	2368	96.42
12250	6218	2079	72.69	2115	75.56	2150	78.43	2184	81.32	2218	84.21	2251	87.10	2283	90.00	2315	92.91	2346	95.83	2377	98.75
12500	6345	2090	74.58	2125	77.51	2160	80.43	2194	83.37	2228	86.31	2261	89.25	2293	92.21	2325	95.17	2356	98.13	2387	101.11
12750	6472	2100	76.59	2135	79.48	2170	82.46	2204	85.45	2238	88.44	2271	91.44	2303	94.44	2335	97.46	2366	100.47	2397	103.50
13000	6598	2110	78.72	2145	81.55	2180	84.52	2214	87.56	2248	90.60	2281	93.65	2313	96.71	2345	99.77	2376	102.84	2407	105.92
13250	6725	2121	80.88	2156	83.77	2190	86.65	2224	89.70	2258	92.80	2291	95.90	2323	99.01	2355	102.13	2386	105.25	2417	108.38
13500	6852	2132	83.08	2167	86.02	2201	88.96	2235	91.90	2268	95.02	2301	98.18	2333	101.34	2365	104.51	2396	107.68	2427	110.86
13750	6979	2142	85.31	2177	88.31	2212	91.31	2245	94.31	2278	97.30	2311	100.49	2343	103.71	2375	106.93	2406	110.15	2437	113.39

VOL. CFM	O.V. FPM	32" SP		33" SP		34" SP		35" SP		36" SP		37" SP		38" SP		39" SP		40" SP		41" SP	
		RPM	BHP	RPM	BHP	RPM	BHP	RPM	BHP	RPM	BHP	RPM	BHP	RPM	BHP	RPM	BHP	RPM	BHP	RPM	BHP
7500	3807	2286	62.37	2320	64.53	2354	66.71	2390	70.67	2423	72.92	2457	77.06	2490	79.37	2521	81.69	2555	86.06	2586	88.45
7750	3934	2288	64.00	2322	66.22	2356	68.44	2392	72.46	2425	74.75	2459	78.94	2492	81.31	2523	83.68				
8000	4060	2290	65.64	2324	67.90	2358	70.18	2394	74.25	2427	76.59	2461	80.84	2493	83.25	2525	85.67	2556	88.10	2587	90.54
8250	4187	2292	67.29	2326	69.60	2360	71.92	2394	74.25	2427	76.59	2461	80.84	2493	83.25	2525	85.67	2556	88.10	2587	90.54
8500	4314	2294	68.98	2328	71.30	2362	73.67	2396	76.05	2429	78.44	2461	80.84	2493	83.25	2525	85.67	2556	88.10	2587	90.54
8750	4441	2301	71.00	2333	73.22	2364	75.45	2397	77.85	2431	80.29	2463	82.74	2495	85.20	2527	87.67	2558	90.14	2589	92.63
9000	4568	2308	73.04	2340	75.31	2371	77.59	2402	79.88	2433	82.17	2465	84.64	2497	87.15	2529	89.67	2560	92.20	2591	94.73
9250	4695	2315	75.09	2347	77.42	2378	79.75	2409	82.09	2440	84.44	2470	86.79	2500	89.15	2531	91.68	2562	94.25	2593	96.84
9500	4822	2322	77.18	2354	79.55	2385	81.94	2416	84.33	2447	86.73	2477	89.13	2506	91.54	2536	93.95	2565	96.38	2595	98.95
9750	4949	2329	79.28	2361	81.71	2392	84.15	2423	86.59	2454	89.04	2484	91.49	2513	93.95	2543	96.42	2572	98.89	2600	101.37
10000	5076	2336	81.40	2368	83.89	2399	86.38	2430	88.87	2461	91.37	2491	93.88	2520	96.39	2550	98.91	2579	101.43	2607	103.96
10250	5203	2343	83.55	2375	86.09	2406	88.63	2437	91.18	2468	93.73	2498	96.29	2527	98.85	2557	101.42	2586	104.00		
10500	5329	2350	85.72	2382	88.31	2413	90.91	2444	93.51	2475	96.11	2505	98.72	2534	101.34	2564	103.96	2593	106.59		
10750	5456	2357	87.92	2389	90.56	2420	93.21	2451	95.86	2482	98.52	2512	101.18	2541	103.85	2571	106.53	2600	109.20		
11000	5583	2364	90.13	2396	92.83	2427	95.53	2458	98.24	2489	100.95	2519	103.66	2548	106.38	2578	109.11	2606	111.84		
11250	5710	2371	92.38	2403	95.12	2434	97.88	2465	100.64	2496	103.40	2526	106.17	2555	108.95	2585	111.73				
11500	5837	2379	94.64	2410	97.44	2441	100.25	2472	103.06	2503	105.88	2533	108.70	2562	111.53	2592	114.36				
11750	5964	2388	96.96	2418	99.80	2449	102.65	2479	105.51	2510	108.38	2540	111.26	2569	114.14	2599	117.03				
12000	6091	2398	99.30	2428	102.19	2457	105.08	2486	107.99	2517	110.91	2547	113.84	2577	116.78	2606	119.72				
12250	6218	2408	101.68	2438	104.62	2467	107.56	2496	110.51	2525	113.47	2554	116.45	2584	119.44						
12500	6345	2417	104.09	2447	107.08	2477	110.07	2506	113.07	2535	116.08	2563	119.10								
12750	6472	2427	106.																		

DIRECT DRIVE RATING TABLES

CFM and BHP at Static Pressure Shown

Ratings at 70°F., .075 Density, Sea Level

MODEL NO.	RPM	1" SP		2" SP		3" SP		4" SP		5" SP		6" SP		7" SP		8" SP	
		CFM	BHP	CFM	BHP	CFM	BHP	CFM	BHP	CFM	BHP	CFM	BHP	CFM	BHP	CFM	BHP
RBE-7	1750	830	†0.5	556	†0.4												
	<i>2850</i>	<i>1574</i>	<i>2.3</i>	<i>1444</i>	<i>2.2</i>	<i>1304</i>	<i>†2.0</i>	<i>1148</i>	<i>†1.8</i>	<i>966</i>	<i>†1.6</i>	<i>740</i>	<i>†1.3</i>				
	3500	1987	4.4	1881	4.2	1775	4.0	1661	3.8	1546	3.5	1414	3.3	1271	3.0	1111	2.7
RBE-9	<i>1450</i>	<i>1510</i>	<i>†1.0</i>	<i>1113</i>	<i>†0.8</i>												
	1750	1952	1.8	1663	1.6	1310	†1.3	790	†0.9								
	<i>2850</i>	<i>3454</i>	<i>8.3</i>	<i>3288</i>	<i>8.0</i>	<i>3121</i>	<i>7.6</i>	<i>2943</i>	<i>7.2</i>	<i>2763</i>	<i>6.8</i>	<i>2572</i>	<i>6.4</i>	<i>2352</i>	<i>6.0</i>	<i>2122</i>	<i>5.6</i>
	3500	4310	15.5	4175	15.1	4040	14.7	3904	14.3	3765	13.8	3619	13.4	3472	12.9	3325	12.4
RBE-11	1150	2142	●1.3	1517	●0.9												
	<i>1450</i>	<i>2946</i>	<i>2.7</i>	<i>2521</i>	<i>2.3</i>	<i>2026</i>	<i>1.9</i>	<i>1326</i>	<i>†1.4</i>								
	1750	3706	4.9	3375	4.5	3011	4.0	2624	3.5	2114	3.0	1443	2.2				
	<i>2850</i>	<i>6360</i>	<i>22.0</i>	<i>6164</i>	<i>21.4</i>	<i>5965</i>	<i>20.7</i>	<i>5763</i>	<i>20.1</i>	<i>5560</i>	<i>19.4</i>	<i>5341</i>	<i>18.7</i>	<i>5118</i>	<i>18.0</i>	<i>4894</i>	<i>17.2</i>
	3500	7892	41.2	7732	40.4	7572	39.6	7412	38.8	7247	38.0	7082	37.1	6917	36.3	6750	35.5
RBE-13	1150	3797	3.1	3145	2.6	2321	2.0										
	<i>1450</i>	<i>5067</i>	<i>6.4</i>	<i>4588</i>	<i>5.8</i>	<i>4065</i>	<i>5.2</i>	<i>3501</i>	<i>4.5</i>	<i>2730</i>	<i>3.7</i>	<i>1463</i>	<i>2.5</i>				
	1750	6289	11.5	5902	10.9	5500	10.2	5069	9.4	4617	8.6	4118	7.8	3495	6.8	2788	5.8
	<i>2850</i>	<i>10626</i>	<i>51.4</i>	<i>10393</i>	<i>50.3</i>	<i>10160</i>	<i>49.3</i>	<i>9927</i>	<i>48.2</i>	<i>9685</i>	<i>47.1</i>	<i>9444</i>	<i>45.9</i>	<i>9202</i>	<i>44.8</i>	<i>8945</i>	<i>43.6</i>
	3500	13146	95.8	12956	94.5	12766	93.1	12577	91.8	12387	90.5	12197	89.2	12000	87.8	11803	86.4
RBE-15	1150	6083	6.6	5385	5.9	4563	5.1	3588	4.1	1423	2.1						
	<i>1450</i>	<i>7972</i>	<i>13.6</i>	<i>7449</i>	<i>12.8</i>	<i>6902</i>	<i>12.0</i>	<i>6274</i>	<i>11.0</i>	<i>5588</i>	<i>9.9</i>	<i>4842</i>	<i>8.7</i>	<i>3958</i>	<i>7.3</i>		
	1750	9811	24.4	9395	23.4	8952	22.4	8507	21.4	8002	20.2	7482	19.0	6912	17.7	6318	16.3
	<i>2850</i>	<i>16400</i>	<i>107.7</i>	<i>16144</i>	<i>106.1</i>	<i>15889</i>	<i>104.6</i>	<i>15633</i>	<i>103.0</i>	<i>15377</i>	<i>101.5</i>	<i>15113</i>	<i>99.9</i>	<i>14840</i>	<i>98.3</i>	<i>14566</i>	<i>96.6</i>
RBE-17	1150	9081	12.6	8322	11.6	7467	10.5	6506	9.3	5414	7.9	3974	6.1				
	<i>1450</i>	<i>11786</i>	<i>25.9</i>	<i>11210</i>	<i>24.7</i>	<i>10602</i>	<i>23.5</i>	<i>9964</i>	<i>22.2</i>	<i>9250</i>	<i>20.7</i>	<i>8496</i>	<i>19.2</i>	<i>7682</i>	<i>17.5</i>	<i>6775</i>	<i>15.7</i>
	1750	14441	46.1	13968	44.7	13485	43.3	12981	41.8	12478	40.3	11923	38.7	11331	36.9	10739	35.1
RBE-19	1150	12789	21.7	11939	20.1	11093	18.7	10148	17.3	9102	15.7	7886	14.0	6336	11.7	4357	8.8
	<i>1450</i>	<i>16524</i>	<i>44.7</i>	<i>15848</i>	<i>42.6</i>	<i>15174</i>	<i>40.6</i>	<i>14503</i>	<i>38.9</i>	<i>13832</i>	<i>37.1</i>	<i>13069</i>	<i>35.3</i>	<i>12305</i>	<i>33.5</i>	<i>11428</i>	<i>31.4</i>
	1750	—	—	—	—	19079	74.6	18520	72.2	17963	70.1	17407	67.9	16851	65.8	16242	63.6
RBE-21	1150	17516	36.4	16573	34.1	15637	32.2	14683	30.3	13617	28.4	12473	26.3	11128	23.9	9571	21.1
	<i>1450</i>	<i>22526</i>	<i>74.6</i>	<i>21778</i>	<i>71.7</i>	<i>21031</i>	<i>68.9</i>	<i>20287</i>	<i>66.5</i>	<i>19545</i>	<i>64.1</i>	<i>18803</i>	<i>61.7</i>	<i>17972</i>	<i>59.2</i>	<i>17127</i>	<i>56.8</i>
	1750	—	—	—	—	—	—	25611	122.4	24993	119.2	24378	116.3	23763	113.4	23148	110.6

MODEL NO.	RPM	9" SP		10" SP		11" SP		12" SP		13" SP		14" SP		15" SP		16" SP	
		CFM	BHP	CFM	BHP	CFM	BHP	CFM	BHP	CFM	BHP	CFM	BHP	CFM	BHP	CFM	BHP
RBE-7	3500	921	2.4	660	†1.9												
RBE-9	<i>2850</i>	<i>1863</i>	<i>5.0</i>	<i>1538</i>	<i>4.4</i>	<i>1100</i>	<i>3.5</i>										
	3500	3167	11.9	2990	11.4	2807	10.9	2620	10.3	2409	9.6	2198	9.0	1916	8.1	1580	7.2
RBE-11	<i>2850</i>	<i>4657</i>	<i>16.4</i>	<i>4418</i>	<i>15.6</i>	<i>4172</i>	<i>14.7</i>	<i>3851</i>	<i>13.9</i>	<i>3530</i>	<i>13.0</i>	<i>3170</i>	<i>12.0</i>	<i>2801</i>	<i>11.0</i>	<i>2301</i>	<i>9.4</i>
	3500	6568	34.6	6386	33.7	6204	32.8	6022	31.9	5830	31.0	5636	30.0	5442	29.0	5247	28.0
RBE-13	<i>2850</i>	<i>8681</i>	<i>42.5</i>	<i>8416</i>	<i>41.3</i>	<i>8152</i>	<i>40.1</i>	<i>7875</i>	<i>38.8</i>	<i>7593</i>	<i>37.5</i>	<i>7311</i>	<i>36.1</i>	<i>7029</i>	<i>34.8</i>	<i>6673</i>	<i>33.3</i>
	3500	11607	85.0	11410	83.7	11213	82.3	10999	80.8	10783	79.4	10568	77.9	10353	76.4	10137	75.0
RBE-15	1750	5653	14.8	4921	13.2	3920	11.0										
	<i>2850</i>	<i>14293</i>	<i>95.0</i>	<i>14020</i>	<i>93.3</i>	<i>13746</i>	<i>91.7</i>	<i>13435</i>	<i>89.7</i>	<i>13115</i>	<i>87.7</i>	<i>12796</i>	<i>85.7</i>	<i>12476</i>	<i>83.8</i>	<i>12156</i>	<i>81.8</i>
RBE-17	<i>1450</i>	<i>5771</i>	<i>13.7</i>	<i>4158</i>	<i>10.6</i>												
	1750	10078	33.1	9404	31.2	8720	29.1	7888	26.7	7056	24.3	5907	21.2				
RBE-19	<i>1450</i>	<i>10463</i>	<i>29.2</i>	<i>9400</i>	<i>26.7</i>	<i>8154</i>	<i>23.8</i>	<i>6817</i>	<i>21.0</i>	<i>6040</i>	<i>12.7</i>						
	1750	15608	61.4	14975	59.2	14314	57.0	13514	54.3	12715	51.6	11915	48.9	10908	45.3	9865	42.0
RBE-21	1150	7794	18.1	6442	10.5												
	<i>1450</i>	<i>16281</i>	<i>54.3</i>	<i>15236</i>	<i>51.4</i>	<i>14169</i>	<i>48.4</i>	<i>13034</i>	<i>45.1</i>	<i>11681</i>	<i>41.1</i>	<i>10264</i>	<i>37.5</i>	<i>8573</i>	<i>32.8</i>		
	1750	22528	107.7	21828	104.7	21127	101.7	20427	98.8	19727	95.8	18888	92.3	18004	88.7	17120	85.1

MODEL NO.	RPM	17" SP		18" SP		19" SP		20" SP		21" SP		22" SP		23" SP		24" SP	
		CFM	BHP	CFM	BHP	CFM	BHP	CFM	BHP	CFM	BHP	CFM	BHP	CFM	BHP	CFM	BHP
RBE-9	3500	788	4.8														
RBE-11	<i>2850</i>	<i>1186</i>	<i>6.6</i>														
	3500	5016	26.9	4755	25.8	4494	24.6	4228	23.5	3927	22.3	3627	21.1	3326	19.8	2885	17.7
RBE-13	<i>2850</i>	<i>6293</i>	<i>31.8</i>	<i>5914</i>	<i>30.2</i>	<i>5503</i>	<i>28.6</i>	<i>5069</i>	<i>27.0</i>	<i>4635</i>	<i>25.4</i>	<i>3936</i>	<i>22.6</i>	<i>3036</i>	<i>18.9</i>	<i>2316</i>	<i>16.3</i>
	3500	9922	73.5	9693	71.9	9463	70.3	9233	68.6	9004	67.0	8774	65.4	8544	63.8	8235	61.9
RBE-15	<i>2850</i>	<i>11830</i>	<i>79.7</i>	<i>11464</i>	<i>77.5</i>	<i>11098</i>	<i>75.3</i>	<i>10732</i>	<i>73.1</i>	<i>10366</i>	<i>70.8</i>	<i>10000</i>	<i>68.6</i>	<i>9597</i>	<i>66.2</i>	<i>9148</i>	<i>63.5</i>
RBE-19	1750	8804	38.7	7433	34.0												
RBE-21	1750	16236	81.5	15150	76.8	14023	72.0	12849	67.6	11675	63.2	10092	56.5	8691	35.1		

Shaded performance in Italics are with 50 cycle motors.

Note: All units cataloged were tested in accordance with AMCA standard 211.

(†) Requires a 143T frame or larger even though BHP is available in 56 frame. See page 24.

(●) Requires a 182T frame or larger even though BHP is available in 56 frame. See page 24.

MATERIAL CONVEYING

Bulky materials such as those shown in Table 1, page 21, can be conveyed pneumatically using a Cincinnati Fan "RBE" series exhauster. Follow the steps below to determine the fan best suited for your application.

EXAMPLE: Assume a requirement to move 2400 pounds per hour of barley through 200 feet of straight, horizontal, round duct. See notes 1 & 2 below.

- I. Convert pounds per hour to pounds per minute: $2400 \text{ lbs/hr} \div 60 = 40 \text{ lbs/min}$
- II. Refer to Table 1, page 21. Find "barley" under material (column A) and read horizontally. Barley weighs 38 pounds per cubic foot (column B), requires 38 CFM of air per pound of material (column C) and a minimum of 5000 feet per minute conveying velocity (column D).

III. Determine the minimum cubic feet per minute (CFM) requirements:

$$\begin{array}{r} \text{CFM/LB of Material} \quad 38 \text{ (from column C)} \\ \times \quad \text{lbs/Minute} \quad = \quad \times 40 \text{ (from step 1)} \\ \hline 1520 \text{ Total minimum CFM required @ 5000 ft/min conveying velocity (column D)} \end{array}$$

IV. Determine the system duct size and system static pressure requirements from Table 2, page 21. Read across the 5000 ft/min velocity line to the 8" duct size column since this is the first (smallest) duct size column over 1520 CFM.

We have selected 8" duct size with 1745 CFM (actual) and a velocity of 5000 ft/min.

The friction loss is 6.02" SP per 100' x 2 = 12.04" plus 3.5" SP suction pickup (column E, Table 1) = 15.54" total system static pressure for 200 feet of straight 8" duct.

V. Check fan rating tables for 1745 CFM at 15.54" SP at the lowest horsepower. We suggest a Model RBE-9 (on page 8). Interpolate 3499 RPM, 7.59 BHP.

VI. If material being conveyed will be going through the fan, the fan BHP can be significantly increased. The approximate increase is calculated as:

$$\text{Actual BHP} = \frac{\text{lbs/Minute of air} + \text{lbs/Minute of material}}{\text{lbs/Minute of air}} \times \text{Fan BHP (7.59, Step V)}$$

$$\begin{array}{l} \text{In this example: lbs/Minute of air} = 1745 \text{ (Actual CFM, Step IV)} \times .075 \text{ lbs/ft}^3 \text{ (Standard Density)} = 130.9 \\ \text{lbs/Minute of material} = 40 \end{array} \quad \begin{array}{l} \\ \text{See note 3} \end{array}$$

$$\text{Therefore: } \frac{130.9 + 40}{130.9} = \frac{170.9}{130.9} = 1.31 \times 7.59 = 9.94 \text{ Actual BHP}$$

NOTES:

1. For each 10 feet of vertical duct, add 10 feet to your total straight duct length.
2. For equivalent losses through elbows, see chart on page 9 of our Engineering Data catalog.
3. Make sure you use correct density for location of fan.

YOUR MATERIAL CONVEYING CALCULATIONS

(1) Material Being Conveyed	(1) _____	
(2) Pounds Conveyed/Hour	(2) _____	
	+ 60	
(3) Pounds/Minute	(3) _____	
(4) Feet of Straight Horizontal Duct	(4) _____	NOTE: If conveying long, stringy material, be sure to specify open type wheel. Consult factory.
(5) Number of 90° Elbows	(5) + _____	See note 2 above.
(6) Total Equivalent Feet of Duct	(6) _____	
(7) Material Weight, Lbs./Cu. Ft. (col. B)	(7) _____	
(8) CFM/Pound of Material (col. C)	(8) _____	
(9) Pounds/Minute (step 3)	(9) x _____	
(10) Total Min. CFM Required	(10) _____	
(11) Min. Conveying Velocity in FPM (col. D)	(11) _____	
(12) Duct Size to Get Total CFM (step 10) @ Minimum Velocity (step 11) per table 2	(12) _____	DUCT SIZE
(13) Actual CFM for Duct (step 12)	(13)* _____	ACTUAL CFM*
(14) Friction Loss/100 Ft	(14) _____	
(15) Total Equivalent Feet of Duct (step 6) (in 100's of feet)	(15) x _____ (in 100's of feet)	
(16) Suction Pickup in Inches of WC (col. E)	(16) + _____	
(17) Total System SP	(17) _____	TOTAL SYSTEM SP
FAN MODEL TO GET #13 (Actual CFM) & #17 (Total SP) ABOVE		
FAN RPM		
ACTUAL FAN BHP		
(See VI above)		

*Must be equal or greater than Step 10.

TABLE 1

A	B	C	D	E
Material	Approx. Weight (Lbs. per Cu. Ft.)	CFM Per Lb. of Material	Min. Conveying Velocity (In fpm*)	Suction Pickup (Inches of W.C.)
Ashes, Coal	40	42	4500	3.0
Barley	38	38	5000	3.5
Beans, Soy	47	36	5200	4.0
Bran	16	56	3500	2.0
Cement, Portland	100	35	7000	5.0
Cinders, Coal	45	36	6000	4.0
Coal, Powdered	30	42	4000	3.0
Coffee, Beans	48	36	3500	3.0
Cork, Ground	15	59	3500	1.5
Corn, Cobs	25	44	5000	2.5
Corn, Meal	40	38	5500	3.5
Corn, Shelled	45	36	5500	3.5
Cotton, Dry	30	94	4000	2.0
Dust, Grinding	160-175	42	5000	3.0
Fruit, Dried	30	42	4000	3.0
Hair or Feathers, Dry	5	94	3000	1.5
Lime, Hydrated	53-64	42	5000	3.0
Malt, Dry	35	39	4800	3.0
Oats	26	44	4500	3.0
Plastic, Granulated	35	42	5400	3.0
Rags, Dry	30	42	4500	2.5
Salt, Coarse	48	36	5500	4.0
Sand, Dry	99	35	7000	5.0
Sawdust, Dry	7-15	63	3700	2.5
Wheat, Dry	48	37	5800	4.0
Wood Chips, Heavy	15-24	45	4500	3.0
Wood Shavings, Light	7-15	73	3400	2.0
Wool, Dry	5	94	5000	2.0

* Feet per minute

WARNING

Whereas fans are used in thousands of material conveying applications around the world, care must be used in their selection and location within each material conveying system. The material should be crushed, shredded or pulverized **before** it passes through the fan to eliminate premature fan housing, fan wheel and/or bearing failure which could cause severe personal injury and/or complete system failure. Please contact a Cincinnati Fan sales engineer in your area for correct, safe selection for your specific application.

TABLE 2
Friction Loss (FL) in Inches of Water per 100 Feet of Straight, Horizontal, Round Duct

VEL FPM	PIPE DIAMETER & AREA IN SQ. FT.																										
	4"		5"		6"		7"		8"		10"		12"		14"		16"		18"		20"						
	.087	.136	.196	.267	.349	.545	.785	1.069	1.396	1.767	2.182	CFM	FL	CFM	FL	CFM	FL	CFM	FL	CFM	FL	CFM	FL				
2600	SEE "PB" CATALOG											695	1.86	909	1.63	1420	1.30	2040	1.08	2780	.93	3630	.81	4600	.72	5680	.65
2800												748	2.15	977	1.89	1530	1.61	2200	1.26	2990	1.07	3910	.93	4950	.83	6110	.75
3000												802	2.47	1048	2.08	1638	1.73	2355	1.44	3210	1.24	4180	1.08	5310	.96	6550	.86
3200												855	2.82	1118	2.47	1748	1.97	2510	1.64	3420	1.41	4470	1.23	5660	1.09	6980	.96
3400												910	3.18	1188	2.78	1855	2.22	2670	1.85	3630	1.59	4750	1.43	6020	1.24	7430	1.11
3500												935	3.37	1222	2.95	1908	2.35	2747	1.96	3741	1.68	4886	1.49	6184	1.31	7637	1.18
3600												962	3.56	1258	3.12	1965	2.49	2825	2.08	3840	1.78	5025	1.56	6370	1.38	7860	1.25
3700												988	3.76	1291	3.30	2017	2.63	2904	2.20	3955	1.88	5165	1.65	6537	1.46	8073	1.32
3800												1018	3.97	1327	3.48	2070	2.78	2985	2.32	4060	1.99	5300	1.74	6720	1.54	8300	1.39
4000												1070	4.40	1396	3.85	2184	3.08	3142	2.57	4280	2.20	5580	1.92	7080	1.71	8740	1.54
4200												1125	4.85	1467	4.25	2290	3.49	3300	2.83	4400	2.43	5870	2.12	7430	1.88	9170	1.70
4400												1176	5.30	1536	4.63	2400	3.71	3456	3.11	4700	2.66	6140	2.33	7780	2.06	9620	1.85
4500	1202	5.55	1571	4.86	2453	3.89	3532	3.25	4810	2.78	6282	2.44	7951	2.16	9819	1.94											
4800	1284	6.32	1676	5.55	2620	4.43	3770	3.69	5130	3.17	6700	2.77	8480	2.46	10460	2.22											
5000	1335	6.88	1745	6.02	2725	4.82	3925	4.01	5345	3.44	6980	3.01	8835	2.67	10910	2.41											
5200	1390	7.44	1818	6.50	2840	5.21	4080	4.34	5560	3.72	7260	3.25	9200	2.89	11360	2.61											
5500	1469	8.31	1920	7.28	2997	5.81	4317	4.85	5879	4.17	7678	3.64	9718	3.22	12001	2.91											
5600	1496	8.61	1954	7.55	3060	6.03	4400	5.05	5980	4.32	7820	3.78	9900	3.35	12220	3.02											
5800	1549	9.25	2024	8.10	3161	6.47	4553	5.40	6200	4.63	8096	4.05	10248	3.60	12655	3.24											
6000	1604	9.89	2096	8.66	3276	6.92	4710	5.76	6420	4.95	8360	4.33	10620	3.85	13100	3.46											
7000	1873	13.50	2445	11.80	3820	9.41	5500	7.82	7470	6.74	9770	5.90	12380	5.24	15300	4.72											



DIMENSIONS and SPECIFICATIONS

NOTE: The table below contains blower housing dimensions common to all arrangements on pages 23, 24 and 25. ①②③

DIMENSIONS IN INCHES ±1/16"

MODEL	C ^①	D	E	J ^①	K	M	O	P ^②	R ^②	S ^②	V	AA	DD ^③	FF
RBE-7	3	6 1/8	3	4 1/16	1/16	7 1/4	9	9 7/8	10 5/8	9 1/8	14	7	6 3/4	15 1/2
RBE-9	3	7 5/8	3	4 13/16	1/16	9 3/8	11 3/8	12 3/4	13 3/4	11 1/4	17 1/4	9	8 3/4	18 1/8
RBE-11	3	9 3/8	3	5 1 1/16	1/16	11 3/8	13 3/4	15 1/2	16 3/4	14 1/4	21 1/2	11	10 3/4	22 3/4
RBE-13	3	11	3	6 1/2	1/16	13 1/2	16 1/8	18 3/8	19 7/8	16 7/8	26 1/8	13	12 3/4	26 1/4
RBE-15	3	12 3/4	3	7 3/8	1/16	15 3/4	18 3/8	21 1/4	23	19 1/2	28 1/4	15	14 1/2	28 1/2
RBE-17	3	14 3/8	3	8 3/16	1/16	17 3/4	20 3/4	24	26	22	31	17	16 1/2	31 1/4
RBE-19	4	15 7/8	3	8 15/16	1/16	19 3/4	24 9/16	26 3/4	28 15/16	24 9/16	34 1/4	19	18 3/8	34 1/2
RBE-21	5	17 3/4	3 1/2	10 7/8	3/4	21 13/16	27 3/16	29 9/16	32	27 3/16	28	21	20 5/16	38 3/4

- ① Add 1/8" for AMCA "C" Construction and/or Down Blast or Bottom Angular Down discharge positions.
- ② Add 1/16" for Series 32 and 40 housing.
- ③ Add 1/8" for Series 32 and 40 housing.

**Maximum Shaft and Bearing Speeds for Belt Driven Fans
Maximum Wheel Speeds & WR² (lb.-Ft.²) for Direct Driven Fans**

FAN MODEL	MAXIMUM FAN SHAFT AND BEARING SPEEDS				MAXIMUM WHEEL SPEEDS						WR ² (lb.-Ft. ²)			
					STEEL ①			ALUMINUM ②			STEEL		ALUMINUM	
	OPEN		SHROUDED		OPEN		SHROUDED		OPEN		SHROUDED		SERIES	
	SERIES				SERIES				SERIES					
18	25	32	40	18-25	18-25	32-40	18 Only	25-40	18-25	18-25	32-40	ALL		
RBE-7	4680	4994	—	—	4994	4994	—	4100	4994	1.9	2.0	—	1.3	
RBE-9	3630	4383	—	—	4383	4383	—	3600	4383	4.7	5.3	—	3.3	
RBE-11	3000	3610	4000	—	3610	3610	4000 ③	3000	4000 ③	12.8	13.7	15.7	8.3	
RBE-13	2535	3123	3400	3800	3123	3123	3800	2200	3800	24.2	26.3	30.2	16.0	
RBE-15	2186	2699	3000	3500	2699	2699	3500	1900	3500	42.8	45.8	52.8	28.9	
RBE-17	1935	2367	2610	3090	2367	2367	3090	1600	3090	70.4	75.1	86.9	45.5	
RBE-19	1733	2098	2360	2610	2098	2098	2610	1400	2610	108.1	115.0	133.3	69.4	
RBE-21	1530	1900	2080	—	1900	1900	2080 ③	—	2080 ③	254.0	180.0	180.0	117.0 ④	

- ① For steel wheels up to 175°F. (80°C.). See page 5 for RPM reduction factors above 175°F. (80° C.).
- ② For aluminum wheels up to 200°F. (93°C.). Aluminum wheels match the highest design speeds shown for the same size steel wheel.
- ③ For Series 32 only. Not available in Series 40.
- ④ Shrouded type only.

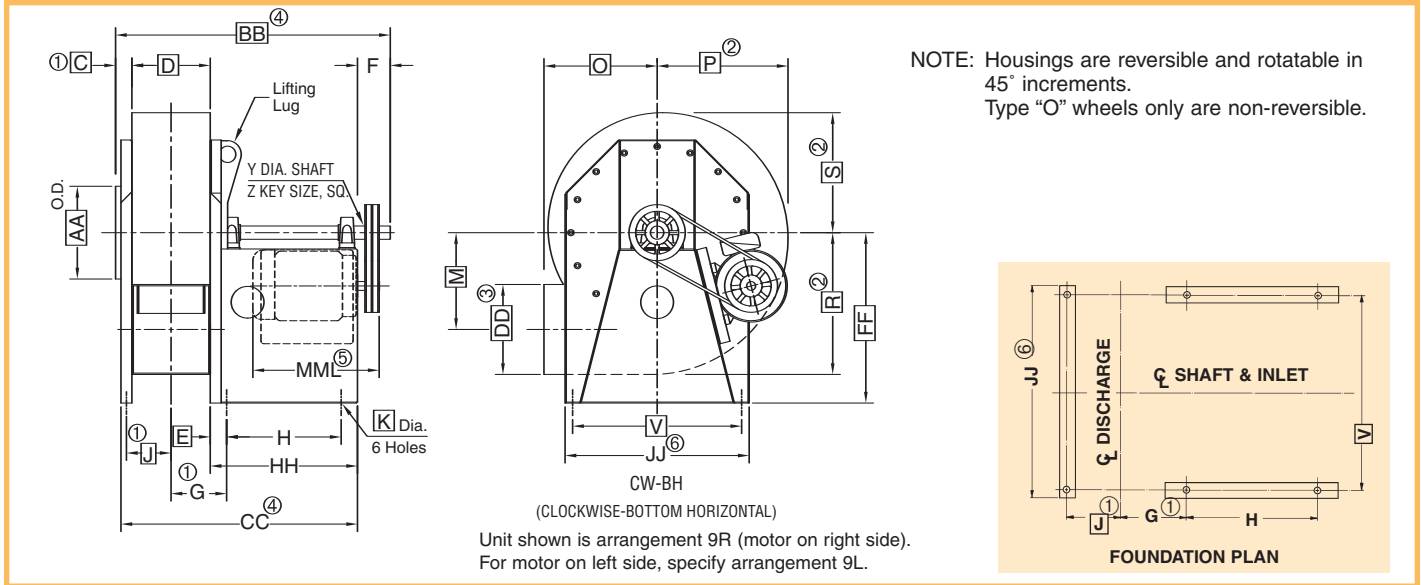
Approximate Shipping Weights Less Motor, Drives and Options

FAN MODEL	ARR.#1		ARR.#4			ARR.#8		ARR.#9				ARR.#9CB				ARR.#10	
	SERIES		SMALL BASE	LARGE BASE	X-LARGE BASE	SERIES		SERIES				SERIES				SERIES	
	18 & 25	32 & 40				18 & 25	32 & 40	18	25	32	40	18	25	32	40	18	25
RBE-7	150	155	115	—	—	170	175	150	155	—	—	245	250	—	—	220	225
RBE-9	215	225	175	190	—	245	255	215	225	—	—	330	340	—	—	295	305
RBE-11	325	335	255	290	295	355	365	325	335	385	—	470	480	480	—	415	425
RBE-13	450	460	355	410	415	490	500	450	460	470	500	620	630	640	660	630	640
RBE-15	555	565	475	525	540	625	635	620	635	760	800	735	745	810	840	755	765
RBE-17	670	680	580	650	—	760	770	680	700	790	830	880	890	955	965	890	900
RBE-19	850	855	690	770	790	905	945	910	950	1090	1100	1085	1100	1130	1135	1035	1045
RBE-21	1370	1435	1080	1110	1130	—	—	1210	1320	1410	—	1670	1742	1745	—	—	—



DIMENSIONS and SPECIFICATIONS

Arrangement #1 and #9, Belt Drive (specify 9R or 9L)



- ① Add 1/8" for AMCA "C" Construction and/or Down Blast or Bottom Angular Down discharge positions.
- ② Add 1/16" for Series 32 and 40 housing.
- ③ Add 1/8" for Series 32 and 40 housing.
- ④ Add 1/4" for AMCA "C" Construction and/or Down Blast or Bottom Angular Down discharge positions.
- ⑤ MML IS MAXIMUM MOTOR LENGTH ON CUSTOMER SUPPLIED MOTOR. MOTOR MANUFACTURERS "C" DIMENSION CANNOT EXCEED "MML" WITHOUT A SPECIAL BASE.
- ⑥ RBE-21: Inlet side plate is wider than base "JJ" dimension, 41 3/4" versus 30 inches.

Note: For common boxed blower housing dimensions, see Page 22.

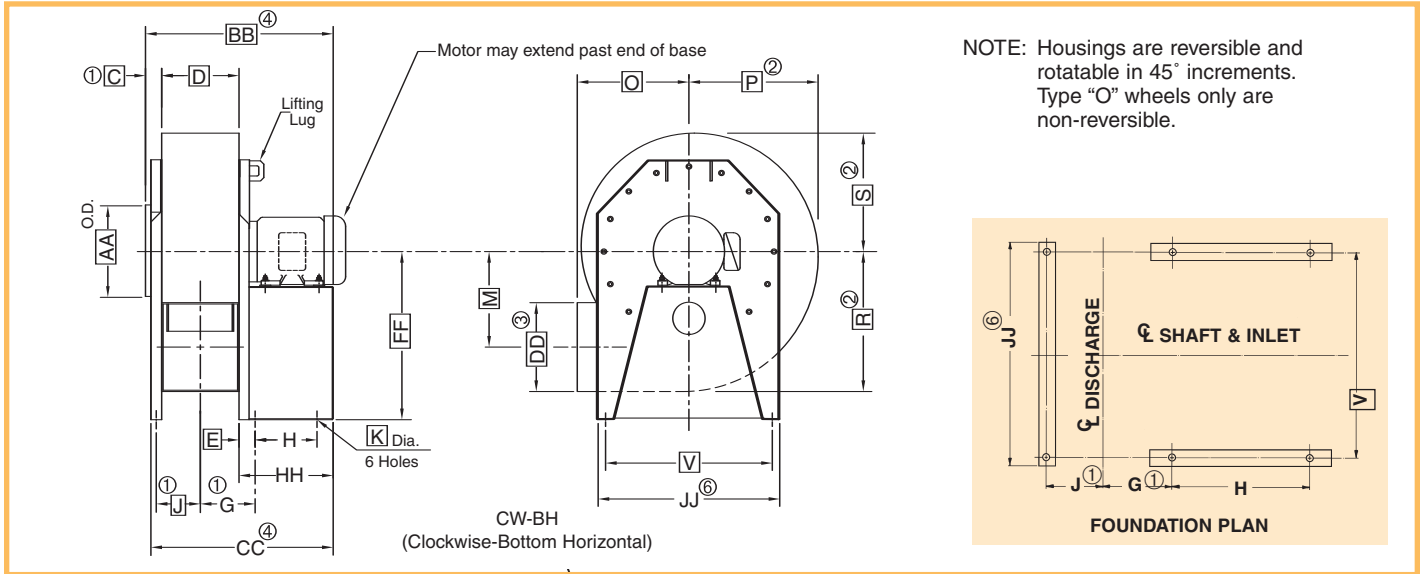
DIMENSIONS IN INCHES ±1/8"

DIMENSIONS SUBJECT TO CHANGE WITHOUT NOTICE.

MODEL	SERIES	MOTOR FRAME	F	G	H	Y	Z	BB ^④	CC ^④	HH	JJ	MML ^⑤	
RBE-7	18	56-215T	4	6 1/16	12 3/4	1 7/16	3/8	31 7/8	26 7/8	18 3/4	16	19 3/8	
	25	143T-215T				1 11/16							
RBE-9	18	56-215T	4	6 13/16	17	1 7/16	3/8	37 5/8	32 5/8	23	19 1/4	24 1/4	
	25	182T-256T				1 11/16							
RBE-11	18	145T-256T	4	7 11/16	18 1/2	1 11/16	3/8	40 7/8	35 7/8	24 1/2	23 1/2	26 3/8	
	25	182T-286T				1 15/16							1/2
	32	213T-286T				1 11/16							3/8
RBE-13	18	145T-286T	5	8 1/2	21	1 11/16	3/8	46	40	27	28 1/8	29 1/2	
	25	182T-286T				1 15/16							1/2
	32	213T-324T				2 3/16							
	40	254T-326T											
RBE-15	18	145T-286T	6	9 3/8	21	1 15/16	1/2	48 3/4	41 3/4	27	30 3/4	29 1/2	
	25	213T-324T				2 3/16							
	32	254T-364T			24 3/4	2 7/16	5/8	52 1/2	45 1/2	30 3/4	31 1/2		
	40	254T-364T											
RBE-17	18	182T-326T	6	10 3/16	21	2 3/16	1/2	50 3/8	43 3/8	27	33 3/4	29 1/2	
	25	254T-326T				2 7/16							5/8
	32	254T-364T			24 3/4	2 11/16		54 1/8	47 1/8	30 3/4	31 1/2		
	40	254T-364T											
RBE-19	18	182T-326T	6	10 15/16	24 3/4	2 3/16	1/2	56 5/8	48 5/8	30 3/4	37 1/4	33 1/4	
	25	254T-364T				2 7/16							5/8
	32	254T-364T				2 11/16							
	40	254T-365T				2 15/16							3/4
RBE-21	18	182T-326T	6	12 3/8	25	2 7/16	5/8	60 3/4	52 3/4	32	30 ^⑥	32 3/4	
	25	254T-364T				2 11/16							
	32	254T-365T											

DIMENSIONS and SPECIFICATIONS

Arrangement #4, Direct Drive



- ① Add 1/8" for AMCA "C" Construction and/or Down Blast or Bottom Angular Down discharge positions.
- ② Add 1/16" for Series 32 and 40 housing.
- ③ Add 1/8" for Series 32 and 40 housing.

- ④ Add 1/4" for AMCA "C" Construction and/or Down Blast or Bottom Angular Down discharge positions.
- ⑥ RBE-21: Inlet side plate is wider than base "JJ" dimension, 41 3/4 versus 30 inches.

Note: For common boxed blower housing dimensions, see Page 22.

DIMENSIONS IN INCHES ±1/8"

DIMENSIONS SUBJECT TO CHANGE WITHOUT NOTICE.

MODEL	MOTOR FRAME	① G	H			BB④			CC④			HH			JJ
			SM	LG	X-LG	SM	LG	X-LG	SM	LG	X-LG	SM	LG	X-LG	
RBE-7	SM. 143T-184T	6 1/16	5 1/2	—	—	20 5/8	—	—	19 5/8	—	—	11 1/2	—	—	16
RBE-9	SM. 143T-215T LG. 254T-256T	6 13/16	7 5/8	16	—	24 1/4	32 5/8	—	23 1/4	31 5/8	—	13 5/8	22	—	19 1/4
RBE-11	SM. 182T-215T LG. 254T-286T X-LG. 324T	7 11/16	8 3/8	18 1/2	21	26 3/4	36 7/8	39 3/8	25 3/4	35 7/8	38 3/8	14 3/8	24 1/2	27	23 1/2
RBE-13	SM. 213T-256T LG. 284T-326T X-LG. 364T-365T	8 1/2	11 1/2	21	24 3/4	31 1/2	41	44 3/4	30 1/2	40	43 3/4	17 1/2	27	30 3/4	28 1/8
RBE-15	SM. 213T-256T LG. 284T-326T X-LG. 364T-365T	9 3/8	11 1/2	21	24 3/4	33 1/4	42 3/4	46 1/2	32 1/4	41 3/4	45 1/2	17 1/2	27	30 3/4	30 3/4
RBE-17	SM. 213T-256T LG. 284T-326T	10 3/16	11 1/2	21	—	34 7/8	44 3/8	—	33 7/8	43 3/8	—	17 1/2	27	—	33 3/4
RBE-19	SM. 213T-256T LG. 284T-326T X-LG. 364T-365T	10 15/16	11 1/2	21	24 3/4	37 3/8	46 7/8	50 5/8	35 3/8	44 7/8	48 5/8	17 1/2	27	30 3/4	37 1/4
RBE-21	SM. 284T-326T LG. 364T-405T X-LG. 444T	12 3/8	20	25	29	49 3/4	54 3/4	58 3/4	47 3/4	52 3/4	56 3/4	27	32	36	30 ⑥

DANGER

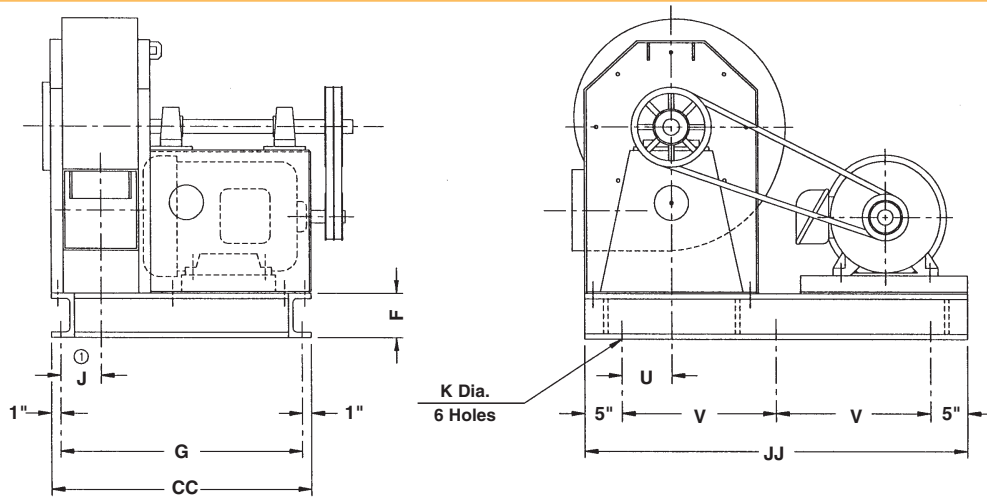
All fans & blowers shown have rotating parts and pinch points. Severe personal injury can result if operated without guards. Stay away from rotating equipment unless it is disconnected from its power source.

Read operating instructions.



DIMENSIONS and SPECIFICATIONS

Arrangement #9RCB or #9LCB Channel Base, Belt Drive



Unit shown is arrangement 9RCB (motor on right side). For motor on left side, specify arrangement 9LCB.

DIMENSIONS IN INCHES ±1/8"

DIMENSIONS SUBJECT TO CHANGE WITHOUT NOTICE.

MODEL	SERIES	MOTOR FRAME	F	G	J	K	U	V	CC	JJ
RBE-7	18-25	182T-215T	4	24 ⁷ / ₈	4 ¹ / ₁₆	⁹ / ₁₆	3	13 ¹⁵ / ₃₂	26 ⁷ / ₈	36 ¹⁵ / ₁₆
RBE-9	18 25	213T-215T 213T-284T	4	30 ⁵ / ₈	4 ¹³ / ₁₆	⁹ / ₁₆	4 ⁵ / ₈	17 ³ / ₄	32 ⁵ / ₈	45 ¹ / ₂
RBE-11	18 25 32	213T-256T 213T-286T 256T-286T	6	33 ⁷ / ₈	5 ¹¹ / ₁₆	⁹ / ₁₆	6 ³ / ₄	21 ³ / ₁₆	35 ⁷ / ₈	52 ³ / ₈
RBE-13	18 25 32 40	213T-286T 254T-286T 254T-324T 254T-365T	6	38	6 ¹ / ₂	⁹ / ₁₆	9 ¹ / ₁₆	26 ¹¹ / ₁₆	40	63 ³ / ₈
RBE-15	18	254T-286T	6	39 ³ / ₄	7 ³ / ₈	⁹ / ₁₆	10 ³ / ₈	26 ⁵ / ₁₆	41 ³ / ₄	62 ⁵ / ₈
	25	254T-324T		48						
	32	254T-365T								
RBE-17	18-25	254T-326T	6	43 ⁷ / ₈	8 ³ / ₁₆	⁹ / ₁₆	11 ⁷ / ₈	27 ¹³ / ₁₆	45 ⁷ / ₈	65 ⁵ / ₈
	32	254T-405T		49 ⁵ / ₈						
	40	284T-444T								
RBE-19	18	254T-326T	6	49 ⁷ / ₈	8 ¹⁵ / ₁₆	⁹ / ₁₆	13 ⁵ / ₈	31 ¹ / ₄	51 ¹ / ₈	72 ¹ / ₂
	25	254T-364T								
	32	284T-405T								
	40	324T-444T								
RBE-21	18	254T-326T	6	53 ¹ / ₄	10 ⁷ / ₈	³ / ₄	10	32 ¹¹ / ₁₆	55 ¹ / ₄	75 ³ / ₈
	25	254T-364T								
	32	284T-444T								

Standard Construction Gauges

MODEL	Housing Scroll & side plates		Inlet Side Plate	Flanges Inlet or Discharge	Bearing & Motor Base	Wheel ^④				Back Plate	Reinf. Plate
	18-25	32-40				Shroud		Blades			
						18-25	32-40	18-25	32-40		
RBE-7	10	7	10	10	10	7 ^⑤	10	7 ^⑤	7	NA	
RBE-9	10	7	10	10	10	7 ^⑤	10	7 ^⑤	7	NA	
RBE-11	10	7	10	10	10	7 ^⑤	10	7 ^⑤	7	7	
RBE-13	10	7	10	10	10	7	7	10	7	7	
RBE-15	10	7	7	10	10	7	7	10	7	1/4"	NA
RBE-17	10	7	7	10	7	7	7	10	7	1/4"	NA
RBE-19	10	7	7	10	7	7	7	10	7	1/4"	NA
RBE-21	③	7	7	7	7 & 1/4"	1/4" ^⑥	1/4" ^⑥	1/4" ^⑥	1/4" ^⑥	1/4"	NA

③ RBE-21 scroll is 10 gauge, welded-on side plates are 7 gauge.

④ Wheel gauges are for shrouded, steel wheels.

⑤ While these fans are not available in some series for belt driven and/or direct driven, the wheels (only) can be supplied in higher series speeds as an option. See "Component Upgrades ONLY" and notes 17 and 23 on page 5 of the RBE price sheet. NOTE: If a higher series wheel is ordered, it can not exceed the max wheel speed for its series as shown on page 22 of the RBE catalog.

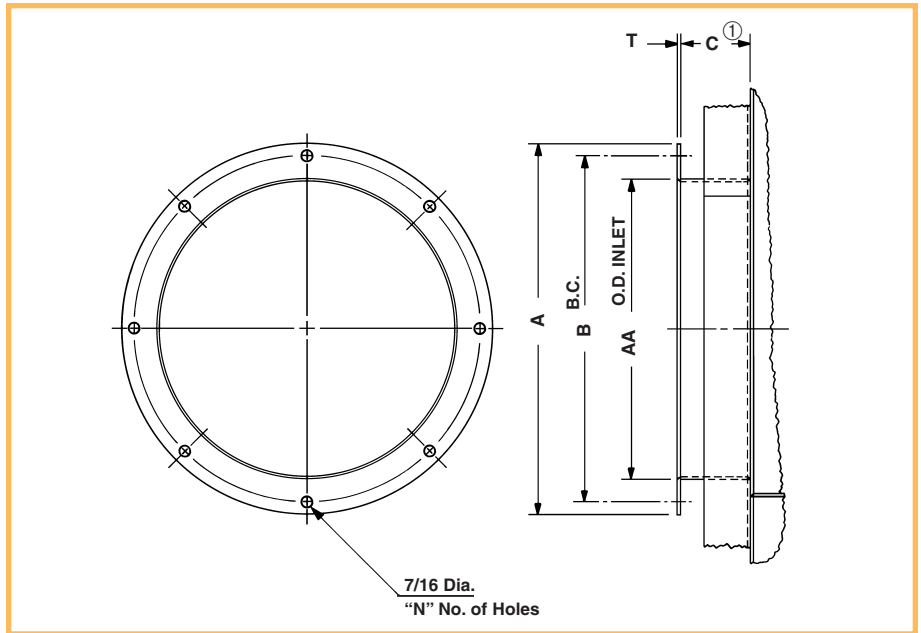
⑥ RBE-21 wheel is Series 18, 25 & 32. Not available in Series 40.



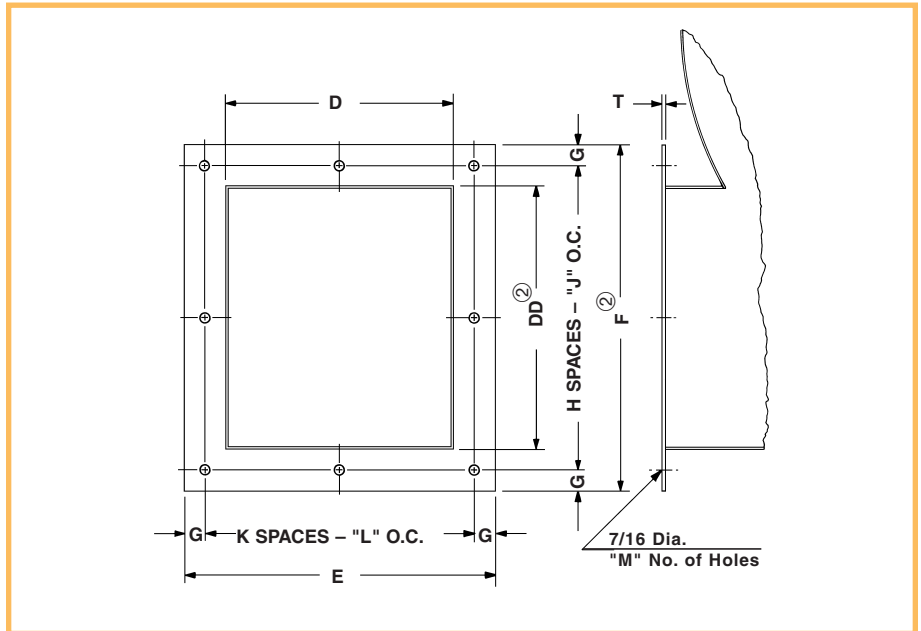
DIMENSIONS and SPECIFICATIONS

Inlet and Outlet Flanges

INLET



OUTLET*



- *Outlet flange not available on:
1. RBE-7 with Top Angular Down discharge.
 2. Any Arrangement 9CB with Down Blast discharge.
 3. Any model with Down Blast or Bottom Angular Down discharge without adding a blower discharge extension.

NOTE: FLANGES WILL BE DRILLED UNLESS OTHERWISE SPECIFIED.

DIMENSIONS IN INCHES $\pm 1/16"$

DIMENSIONS SUBJECT TO CHANGE WITHOUT NOTICE.

MODEL	A	B	C ^①	D	E	F ^②	G	H	J	K	L	M	N	T	AA	DD ^②
RBE-7	9 ³ / ₈	8 ¹ / ₂	3	6 ¹ / ₈	10 ¹ / ₈	10 ³ / ₄	1	2	4 ³ / ₈	2	4 ¹ / ₁₆	8	8	1 ¹ / ₈	7	6 ³ / ₄
RBE-9	11 ⁵ / ₈	10 ⁵ / ₈	3	7 ⁵ / ₈	11 ⁵ / ₈	12 ³ / ₄	1	2	5 ³ / ₈	2	4 ¹³ / ₁₆	8	8	1 ¹ / ₈	9	8 ³ / ₄
RBE-11	13 ⁷ / ₈	12 ³ / ₄	3	9 ³ / ₈	13 ³ / ₈	14 ⁷ / ₈	1 ¹ / ₁₆	3	4 ¹ / ₄	3	3 ³ / ₄	12	8	1 ¹ / ₈	11	10 ³ / ₄
RBE-13	16 ¹ / ₈	15	3	11	15	16 ¹¹ / ₁₆	1 ¹ / ₃₂	3	4 ⁷ / ₈	3	4 ⁵ / ₁₆	12	8	1 ¹ / ₈	13	12 ³ / ₄
RBE-15	18 ¹ / ₈	17	3	12 ³ / ₄	16 ³ / ₄	18 ⁵ / ₈	1 ¹ / ₁₆	4	4 ¹ / ₈	3	4 ⁷ / ₈	14	8	1 ¹ / ₈	15	14 ¹ / ₂
RBE-17	20 ¹ / ₈	19	3	14 ³ / ₈	18 ³ / ₈	20 ⁵ / ₈	1 ¹ / ₁₆	4	4 ⁵ / ₈	4	4 ¹ / ₁₆	16	8	1 ¹ / ₈	17	16 ¹ / ₂
RBE-19	22 ¹ / ₈	21	4	15 ⁷ / ₈	19 ⁷ / ₈	22 ³ / ₈	1 ¹ / ₁₆	4	5 ¹ / ₁₆	4	4 ⁷ / ₁₆	16	8	1 ¹ / ₈	19	18 ³ / ₈
RBE-21	24 ¹ / ₂	22 ¹ / ₂	5	17 ³ / ₄	21 ³ / ₄	24 ¹¹ / ₃₂	1	5	4 ¹⁵ / ₃₂	4	4 ¹⁵ / ₁₆	18	12	3 ¹ / ₁₆	21	20 ⁵ / ₁₆

① Add 1/8" for AMCA "C" Construction and/or Down Blast or Bottom Angular Down discharge positions.

② Add 1/8" for Series 32 and 40.

NOTE: Dimensions C, D, AA and DD are $\pm 1/8"$.